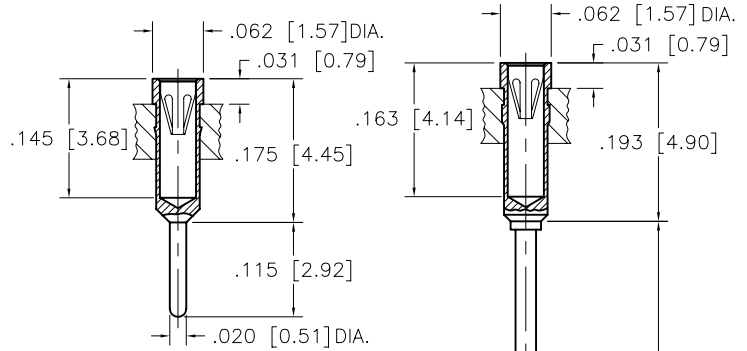
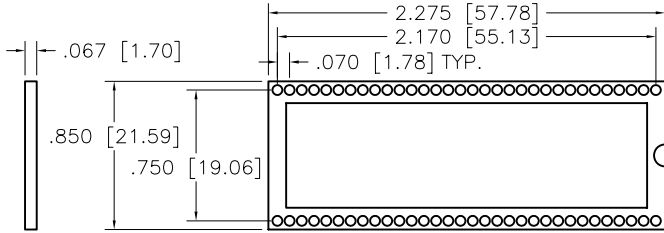


**SERIES 107 SHRINK DIP (OPEN FRAME)**  
**207 SHRINK DIP (SOLID FRAME)**  
**403 SHRINK DIP (LAMINATE WAFER)**

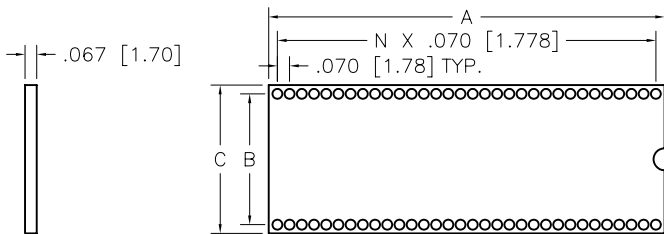
**SERIES 107 DIL**



-75

**SERIES 207 DIL**

PIN	A	B	C
28	1.010 [25.65]	.600 [15.24]	.700 [17.78]
40	1.430 [36.32]	.600 [15.24]	.700 [17.78]
64	2.270 [57.66]	.750 [19.05]	.850 [21.59]

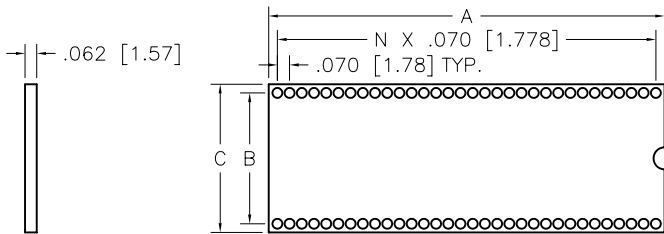


-81

**SERIES 403 DIL**

PIN	A	B	C
28	1.010 [25.65]	.600 [15.24]	.700 [17.78]
40	1.430 [36.32]	.600 [15.24]	.700 [17.78]
64	2.270 [57.66]	.750 [19.05]	.850 [21.59]

NOTE: OTHER SOCKET SIZES AVAILABLE



**CONTACT TYPE**

<b>S: STANDARD DIP</b>	INSERTION FORCE	9.0 oz. AVG.
	WITHDRAWAL FORCE	2.0 oz. MIN.
<b>M: STANDARD PGA</b>	INSERTION FORCE	1.6 oz. MAX.
	WITHDRAWAL FORCE	0.5 oz. MIN.
<b>L: INTERSTITIAL PGA</b>	INSERTION FORCE	1.0 oz. MAX.
	WITHDRAWAL FORCE	0.3 oz. MIN.
<b>H: HIGH FORCE</b>	INSERTION FORCE	18.3 oz. MAX.
	WITHDRAWAL FORCE	4.2 oz. MIN.

**TECHNICAL SPECIFICATIONS**

**MATERIAL**  
**INSULATOR** GLASS FILLED POLYESTER  
UL 94V-0 LISTED

**TERMINAL CONTACT** BRASS PER ASTM-B16  
BeCu PER ASTM-B194

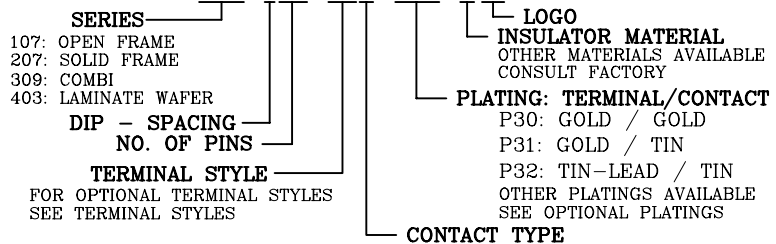
**OPERATING TEMP.** -65°C TO +125°C

**CONTACT FORCES**

**INSERTION** STANDARD 9 oz. AVG.  
**WITHDRAWAL** STANDARD 2 oz. MIN.

**ORDERING INFORMATION**

107-XXX-XXX-PXX-B10  
207-XXX-XXX-PXX-B10  
309-XXX-XXX-PXX-B10  
403-XXX-XXX-PXX-N10



**SERIES 403: INSULATOR: GLASS-EPOXY FR-4 UL 94V-0 HIGH TEMPERATURE OPERATION**