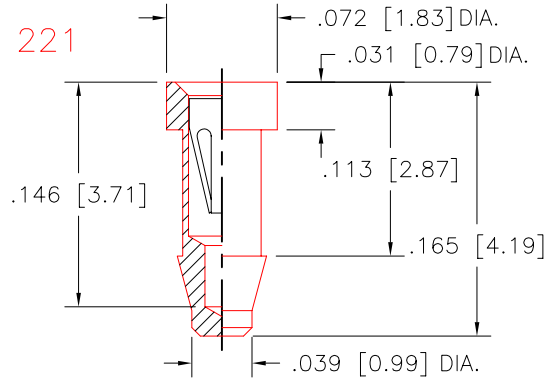
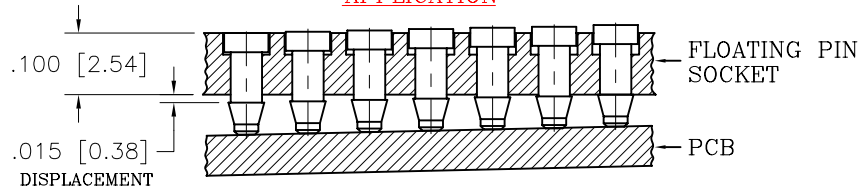


REFER TO FOOTPRINTS
FOR AVAILABLE PATTERNS



APPLICATION



CONTACT TYPE

| | | |
|----------------------------|------------------|---------------|
| S: STANDARD DIP | INSERTION FORCE | 9.0 oz. AVG. |
| | WITHDRAWAL FORCE | 2.0 oz. MIN. |
| M: STANDARD PGA | INSERTION FORCE | 1.6 oz. MAX. |
| | WITHDRAWAL FORCE | 0.5 oz. MIN. |
| L: INTERSTITIAL PGA | INSERTION FORCE | 1.0 oz. MAX. |
| | WITHDRAWAL FORCE | 0.3 oz. MIN. |
| H: HIGH FORCE | INSERTION FORCE | 18.3 oz. MAX. |
| | WITHDRAWAL FORCE | 4.2 oz. MIN. |

TECHNICAL SPECIFICATIONS

MATERIAL INSULATOR HIGH TEMP. BLACK NYLON 46
UL 94V-0 LISTED

TERMINAL CONTACT BRASS PER ASTM-B16
BeCu PER ASTM-B194

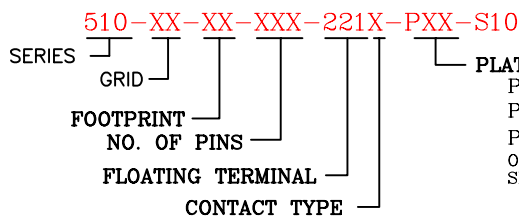
OPERATING TEMP. -65°C TO +150°C

CONTACT FORCES

INSERTION STANDARD 1.6 oz. MAX.

WITHDRAWAL STANDARD 0.5 oz. MIN.

ORDERING INFORMATION



PLATING: TERMINAL / CONTACT
P30: GOLD / GOLD
P31: TIN-LEAD / GOLD
P32: TIN-LEAD / TIN
OTHER PLATINGS AVAILABLE
SEE OPTIONAL PLATINGS