

Hamamatsu Sockets						
Hamamatsu Sockets Model Number	Andon Part Number Replace "XXX" with Terminal Type	Terminal Type		Pin Ø [in]	Figure Number	Page Number
		Thru-Hole	Surface Mount			
L7650	R080-0403-01N-XXX-R27-L14	433E	285E	.040	1	6
L7650-53	R080-0403-01N-XXX-R27-L14	433E	285E	.040	1	6
L6690-53	R080-0403-01N-XXX-R27-L14	433E	285E	.040	1	6
L11854-307-05	R080-0403-01N-XXX-R27-L14	433E	285E	.040	1	6
L11348-307-05	R080-0403-01N-XXX-R27-L14	433E	285E	.040	1	6
L7060-02	R100-0402-06T-XXX-R27-L14	75S	265S	.018	3	6
L7690-02	R100-0402-06T-XXX-R27-L14	75S	265S	.018	3	6
S1336-18BK	R100-0402-06T-XXX-R27-L14	75S	265S	.018	3	6
S1336-18BQ	R100-0402-06T-XXX-R27-L14	75S	265S	.018	3	6
S1336-18BU	R100-0402-06T-XXX-R27-L14	75S	265S	.018	3	6
L2656	R100-0402-06T-XXX-R27-L14	75S	265S	.018	3	6
L2656-03	R100-0402-06T-XXX-R27-L14	75S	265S	.018	3	6
L1939-04	R100-0402-06T-XXX-R27-L14	75S	265S	.018	3	6
L1939	R100-0402-06T-XXX-R27-L14	75S	265S	.018	3	6
S1226-18BU	R100-0402-06T-XXX-R27-L14	75S	265S	.018	3	6
S1336-18B6	R100-0402-06T-XXX-R27-L14	75S	265S	.018	3	6
L1915-01	R100-0402-06T-XXX-R27-L14	75S	265S	.018	3	6
L12756	R100-0402-06T-XXX-R27-L14	75S	265S	.018	3	6
L1915	R100-0402-06T-XXX-R27-L14	75S	265S	.018	3	6
L1909	R100-0402-06T-XXX-R27-L14	75S	265S	.018	3	6
L12771-01	R100-0402-06T-XXX-R27-L14	75S	265S	.018	3	6
L12771	R100-0402-06T-XXX-R27-L14	75S	265S	.018	3	6
L1915-02	R100-0402-06T-XXX-R27-L14	75S	265S	.018	3	6
S1226-18BQ	R100-0402-06T-XXX-R27-L14	75S	265S	.018	3	6
S1226-18BK	R100-0402-06T-XXX-R27-L14	75S	265S	.018	3	6
S1336-44BQ	R200-0402-02T-XXX-R27-L14	01S	93S	.018	4	6
S1336-5BK	R200-0402-02T-XXX-R27-L14	01S	93S	.018	4	6
S1336-5BQ	R200-0402-02T-XXX-R27-L14	01S	93S	.018	4	6
S1223-01	R200-0402-02T-XXX-R27-L14	01S	93S	.018	4	6
S1223	R200-0402-02T-XXX-R27-L14	01S	93S	.018	4	6
S1226-5BQ	R200-0402-02T-XXX-R27-L14	01S	93S	.018	4	6
S1226-44BQ	R200-0402-02T-XXX-R27-L14	01S	93S	.018	4	6
S1226-5BK	R200-0402-02T-XXX-R27-L14	01S	93S	.018	4	6
S1226-44BK	R200-0402-02T-XXX-R27-L14	01S	93S	.018	4	6
K1713-05	R200-0404-01T-XXX-R27-L14	01S	93S	.018	6	6
K1713-08	R200-0404-01T-XXX-R27-L14	01S	93S	.018	6	6
K1713-09	R200-0404-01T-XXX-R27-L14	01S	93S	.018	6	6
T11722-01	R200-0404-01T-XXX-R27-L14	01S	93S	.018	6	6
K11908-010K	R200-0404-01T-XXX-R27-L14	01S	93S	.018	6	6
K1713-01/-002	R200-0404-01T-XXX-R27-L14	01S	93S	.018	6	6
G8370-01	R200-0403-04T-XXX-R27-L14	01S	93S	.018	5	6
G8370-02	R200-0403-04T-XXX-R27-L14	01S	93S	.018	5	6
G8370-03	R200-0403-04T-XXX-R27-L14	01S	93S	.018	5	6
G8370-82	R200-0403-04T-XXX-R27-L14	01S	93S	.018	5	6
G8370-83	R200-0403-04T-XXX-R27-L14	01S	93S	.018	5	6
G8372-03	R200-0403-04T-XXX-R27-L14	01S	93S	.018	5	6
G8373-03	R200-0403-04T-XXX-R27-L14	01S	93S	.018	5	6
P3207-05	R200-0403-04T-XXX-R27-L14	01S	93S	.018	5	6
P791-11	R200-0403-04T-XXX-R27-L14	01S	93S	.018	5	6
S6045-05	R200-0403-04T-XXX-R27-L14	01S	93S	.018	5	6
P791-13	R200-0403-04T-XXX-R27-L14	01S	93S	.018	5	6
P8079-01	R200-0403-04T-XXX-R27-L14	01S	93S	.018	5	6
P9217-02	R200-0403-04T-XXX-R27-L14	01S	93S	.018	5	6
P9217-03	R200-0403-04T-XXX-R27-L14	01S	93S	.018	5	6

## Hamamatsu Sockets Continued

Hamamatsu Sockets Model Number	Andon Part Number Replace "XXX" with Terminal Type	Terminal Type		Pin Ø [in]	Figure Number	Page Number
		Thru-Hole	Surface Mount			
S9075	R200-0403-04T-XXX-R27-L14	01S	93S	.018	5	6
S11499	R200-0403-04T-XXX-R27-L14	01S	93S	.018	5	6
S12742-254	R200-0403-04T-XXX-R27-L14	01S	93S	.018	5	6
S6045-04	R200-0403-04T-XXX-R27-L14	01S	93S	.018	5	6
S5344	R200-0403-04T-XXX-R27-L14	01S	93S	.018	5	6
S2384	R200-0403-04T-XXX-R27-L14	01S	93S	.018	5	6
S3884	R200-0403-04T-XXX-R27-L14	01S	93S	.018	5	6
P3207-08	R200-0403-04T-XXX-R27-L14	01S	93S	.018	5	6
P9696-02/-03	R200-0403-04T-XXX-R27-L14	01S	93S	.018	5	6
S8664-02K/-05K/-10K/-20K	R200-0403-04T-XXX-R27-L14	01S	93S	.018	5	6
S8890-02/-05/-10/-15	R200-0403-04T-XXX-R27-L14	01S	93S	.018	5	6
G6854-01	R100-0403-01T-XXX-R27-L14	75S	265S	.018	2	6
G7096-01	R100-0403-01T-XXX-R27-L14	75S	265S	.018	2	6
G8370-81	R100-0403-01T-XXX-R27-L14	75S	265S	.018	2	6
G8371	R100-0403-01T-XXX-R27-L14	75S	265S	.018	2	6
G8371-01	R100-0403-01T-XXX-R27-L14	75S	265S	.018	2	6
G8371-03	R100-0403-01T-XXX-R27-L14	75S	265S	.018	2	6
G8372-01	R100-0403-01T-XXX-R27-L14	75S	265S	.018	2	6
G8373-01	R100-0403-01T-XXX-R27-L14	75S	265S	.018	2	6
G8376-02	R100-0403-01T-XXX-R27-L14	75S	265S	.018	2	6
G8376-03	R100-0403-01T-XXX-R27-L14	75S	265S	.018	2	6
G8376-05	R100-0403-01T-XXX-R27-L14	75S	265S	.018	2	6
L9418-04	R100-0403-01T-XXX-R27-L14	75S	265S	.018	2	6
G9801-21	R100-0403-01T-XXX-R27-L14	75S	265S	.018	2	6
G9801-32	R100-0403-01T-XXX-R27-L14	75S	265S	.018	2	6
G9801-22	R100-0403-01T-XXX-R27-L14	75S	265S	.018	2	6
G8376-10	R100-0403-01T-XXX-R27-L14	75S	265S	.018	2	6
G8421-03	R100-0403-01T-XXX-R27-L14	75S	265S	.018	2	6
G8421-05	R100-0403-01T-XXX-R27-L14	75S	265S	.018	2	6
G8422-03	R100-0403-01T-XXX-R27-L14	75S	265S	.018	2	6
G8422-05	R100-0403-01T-XXX-R27-L14	75S	265S	.018	2	6
G8423-03	R100-0403-01T-XXX-R27-L14	75S	265S	.018	2	6
G8423-05	R100-0403-01T-XXX-R27-L14	75S	265S	.018	2	6
L6690	R100-0403-01T-XXX-R27-L14	75S	265S	.018	2	6
L7055-04	R100-0403-01T-XXX-R27-L14	75S	265S	.018	2	6
L7695-04	R100-0403-01T-XXX-R27-L14	75S	265S	.018	2	6
L7910	R100-0403-01T-XXX-R27-L14	75S	265S	.018	2	6
S6045-01	R100-0403-01T-XXX-R27-L14	75S	265S	.018	2	6
L8048-04	R100-0403-01T-XXX-R27-L14	75S	265S	.018	2	6
L8414-04	R100-0403-01T-XXX-R27-L14	75S	265S	.018	2	6
L8446-04	R100-0403-01T-XXX-R27-L14	75S	265S	.018	2	6
L8446-42	R100-0403-01T-XXX-R27-L14	75S	265S	.018	2	6
L8763-04	R100-0403-01T-XXX-R27-L14	75S	265S	.018	2	6
L8763-41	R100-0403-01T-XXX-R27-L14	75S	265S	.018	2	6
L8763-42	R100-0403-01T-XXX-R27-L14	75S	265S	.018	2	6
L8933-04	R100-0403-01T-XXX-R27-L14	75S	265S	.018	2	6
L8933-41	R100-0403-01T-XXX-R27-L14	75S	265S	.018	2	6
L8933-42	R100-0403-01T-XXX-R27-L14	75S	265S	.018	2	6
L9277-04	R100-0403-01T-XXX-R27-L14	75S	265S	.018	2	6
S6045-03	R100-0403-01T-XXX-R27-L14	75S	265S	.018	2	6
S12053-02/-05/-10	R100-0403-01T-XXX-R27-L14	75S	265S	.018	2	6
S12023-02/-05/-10/-10A	R100-0403-01T-XXX-R27-L14	75S	265S	.018	2	6
S12051	R100-0403-01T-XXX-R27-L14	75S	265S	.018	2	6
S12086	R100-0403-01T-XXX-R27-L14	75S	265S	.018	2	6

## Hamamatsu Sockets *Continued*

Hamamatsu Sockets Model Number	Andon Part Number Replace "XXX" with Terminal Type	Terminal Type		Pin Ø [in]	Figure Number	Page Number
		Thru-Hole	Surface Mount			
S12060-02/-05/-10	R100-0403-01T-XXX-R27-L14	75S	265S	.018	2	6
68931-04	R100-0403-01T-XXX-R27-L14	75S	265S	.018	2	6
68931-20	R100-0403-01T-XXX-R27-L14	75S	265S	.018	2	6
S6045-02	R100-0403-01T-XXX-R27-L14	75S	265S	.018	2	6
G6849-01	R230-0808-01T-XXX-R27-L14	75S	265S	.018	7	7
S4402	R230-0808-01T-XXX-R27-L14	75S	265S	.018	7	7
G6849	R230-0808-01T-XXX-R27-L14	75S	265S	.018	7	7
G6849-1	R230-0808-01T-XXX-R27-L14	75S	265S	.018	7	7
S8745-01	R230-1010-02T-XXX-R27-L14	211S	265S	.018	8	7
S1336-8BK	R295-0402-01T-XXX-R27-L14	01S	93S	.018	9	7
S1336-8BQ	R295-0402-01T-XXX-R27-L14	01S	93S	.018	9	7
S1226-8BQ	R295-0402-01T-XXX-R27-L14	01S	93S	.018	9	7
S1226-8BK	R295-0402-01T-XXX-R27-L14	01S	93S	.018	9	7
G6370-05	R295-0403-01T-XXX-R27-L14	01S	93S	.018	10	7
G6370-85	R295-0403-01T-XXX-R27-L14	01S	93S	.018	10	7
G8370-05	R295-0403-01T-XXX-R27-L14	01S	93S	.018	10	7
G8370-85	R295-0403-01T-XXX-R27-L14	01S	93S	.018	10	7
P9217-04	R295-0403-01T-XXX-R27-L14	01S	93S	.018	10	7
S11499-01	R295-0403-01T-XXX-R27-L14	01S	93S	.018	10	7
S6045-06	R295-0403-01T-XXX-R27-L14	01S	93S	.018	10	7
S2044	R400-SP05-01T-XXX-R27-L14	01S	93S	.018	12	7
K3413-01	R400-SP12-02T-XXX-R27-L14	01S	93S	.018	11	7
K3413-02	R400-SP12-02T-XXX-R27-L14	01S	93S	.018	11	7
K3413-05	R400-SP12-02T-XXX-R27-L14	01S	93S	.018	11	7
K3413-08	R400-SP12-02T-XXX-R27-L14	01S	93S	.018	11	7
K3413-09	R400-SP12-02T-XXX-R27-L14	01S	93S	.018	11	7
S8746-01	R400-SP12-02T-XXX-R27-L14	01S	93S	.018	11	7
SB8746	R400-SP12-02T-XXX-R27-L14	01S	93S	.018	11	7
K3413-01/-002	R400-SP12-02T-XXX-R27-L14	01S	93S	.018	11	7
G5851-11	R100-SP05-01T-XXX-R27-L14	01S	93S	.018	13	8
G5851-13	R100-SP05-01T-XXX-R27-L14	01S	93S	.018	13	8
G5851-103	R100-SP05-01T-XXX-R27-L14	01S	93S	.018	13	8
G5852-11	R100-SP05-01T-XXX-R27-L14	01S	93S	.018	13	8
G5852-13	R100-SP05-01T-XXX-R27-L14	01S	93S	.018	13	8
G5852-21	R100-SP05-01T-XXX-R27-L14	01S	93S	.018	13	8
G5852-103	R100-SP05-01T-XXX-R27-L14	01S	93S	.018	13	8
G8605-11	R100-SP05-01T-XXX-R27-L14	01S	93S	.018	13	8
G8605-12	R100-SP05-01T-XXX-R27-L14	01S	93S	.018	13	8
G8605-13	R100-SP05-01T-XXX-R27-L14	01S	93S	.018	13	8
G8605-15	R100-SP05-01T-XXX-R27-L14	01S	93S	.018	13	8
G8605-21	R100-SP05-01T-XXX-R27-L14	01S	93S	.018	13	8
G8605-22	R100-SP05-01T-XXX-R27-L14	01S	93S	.018	13	8
G8605-23	R100-SP05-01T-XXX-R27-L14	01S	93S	.018	13	8
G8605-25	R100-SP05-01T-XXX-R27-L14	01S	93S	.018	13	8
P2038-02	R100-SP05-01T-XXX-R27-L14	01S	93S	.018	13	8
P2038-03	R100-SP05-01T-XXX-R27-L14	01S	93S	.018	13	8
P2532-01	R100-SP05-01T-XXX-R27-L14	01S	93S	.018	13	8
P2682-01	R100-SP05-01T-XXX-R27-L14	01S	93S	.018	13	8
P2750-06	R100-SP05-01T-XXX-R27-L14	01S	93S	.018	13	8
P2680-02	R100-SP05-01T-XXX-R27-L14	01S	93S	.018	13	8
P2680-03	R100-SP05-01T-XXX-R27-L14	01S	93S	.018	13	8
P3257-31	R100-SP05-01T-XXX-R27-L14	01S	93S	.018	13	8
P3981	R100-SP05-01T-XXX-R27-L14	01S	93S	.018	13	8
P6606-110	R100-SP05-01T-XXX-R27-L14	01S	93S	.018	13	8
P8079-11	R100-SP05-01T-XXX-R27-L14	01S	93S	.018	13	8

## Hamamatsu Sockets *Continued*

Hamamatsu Sockets Model Number	Andon Part Number Replace "XXX" with Terminal Type	Terminal Type		Pin Ø [in]	Figure Number	Page Number
		Thru-Hole	Surface Mount			
P2750-08	R100-SP05-01T-XXX-R27-L14	01S	93S	.018	13	8
P6606-210	R100-SP05-01T-XXX-R27-L14	01S	93S	.018	13	8
P8079-21	R100-SP05-01T-XXX-R27-L14	01S	93S	.018	13	8
S1300	R710-0404-01N-XXX-R27-L14	295V	439V	.030	14	8
P3981-01	F355-SP06-01-XXX-R27-L14	274K	281K	.018	15	8
S1200	R710-SP05-01N-XXX-R27-L14	295V	439V	.018	16	8
S1880	R710-SP05-01N-XXX-R27-L14	295V	439V	.018	16	8
P2750	F500-SP07-01-XXX-R27-L14	433E	285E	.040	17	8
P2750-06	F500-SP07-01-XXX-R27-L14	433E	285E	.040	17	8
P6606-305	F500-SP07-01-XXX-R27-L14	433E	285E	.040	17	8
P6606-310	F500-SP07-01-XXX-R27-L14	433E	285E	.040	17	8
P6606-320	F500-SP07-01-XXX-R27-L14	433E	285E	.040	17	8
S1881	R1350-SP05-01-XXX-R27-L14	433E	285E	.040	18	8
S8785	F700-SP11-01-XXX-R27-L14	433E	285E	.040	19	9
S8785-01	F700-SP11-01-XXX-R27-L14	433E	285E	.040	19	9
S8785-02	F700-SP11-01-XXX-R27-L14	433E	285E	.040	19	9
S9295	F700-SP11-01-XXX-R27-L14	433E	285E	.040	19	9
S9295-01	F700-SP11-01-XXX-R27-L14	433E	285E	.040	19	9
L8414-41	R100-0403-04N-XXX-R27-L14	75S	265S	.018	20	9
L11607-04	R100-0403-04N-XXX-R27-L14	75S	265S	.018	20	9
L11348-330-04	R100-0403-04N-XXX-R27-L14	75S	265S	.018	20	9
L11649-120-04	R100-0403-04N-XXX-R27-L14	75S	265S	.018	20	9
L10452-42	R100-0403-04N-XXX-R27-L14	75S	265S	.018	20	9
L9277-42	R100-0403-04N-XXX-R27-L14	75S	265S	.018	20	9
L9418-42	R100-0403-04N-XXX-R27-L14	75S	265S	.018	20	9
L2204-01	CSP226-04-01-XXX-R27-L14	01S	93S	.018	21	9
R244, R259, R259-01	R437-0402-01T-XXX-R27-L14	01S	93S	.018	23	9
R1753-01	R469-0504-01T-XXX-R27-L14	433E	285E	.040	24	9
R1868	R469-0504-01T-XXX-R27-L14	433E	285E	.040	24	9
L12017-1278T-C	R375-SP16-01T-XXX-R27-L14	75S	265S	.018	22	9
L12014-2231T-C	R375-SP16-01T-XXX-R27-L14	75S	265S	.018	22	9
L12015-1901T-C	R375-SP16-01T-XXX-R27-L14	75S	265S	.018	22	9
L12016-1630T-C	R375-SP16-01T-XXX-R27-L14	75S	265S	.018	22	9
T11264-08	R375-SP16-01T-XXX-R27-L14	75S	265S	.018	22	9
R2868	R315-0402-01T-XXX-R27-L14	01S	93S	.018	25	10
R9454	R315-0402-01T-XXX-R27-L14	01S	93S	.018	25	10
R9533	R311-SP08-01T-XXX-R27-L14	01D	93D	.018	26	10
S8664-55	CSP200-02-01-XXX-R27-L14	01S	93S	.018	27	10
S8664-1010	CSP200-02-02-XXX-R27-L14	01S	93S	.018	28	10
S1227-66BQ	CSP291-02-01-XXX-R27-L14	01S	93S	.018	29	10
S1227-BR	CSP291-02-01-XXX-R27-L14	01S	93S	.018	29	10
S3931	CSP200-04-01-XXX-R27-L14	01S	93S	.018	30	10
S12572-010/-015C	CSP100-02-01-XXX-R27-L14	274K	281K	.018	31	11
S12572-025C/-050C/-100C	CSP100-02-01-XXX-R27-L14	274K	281K	.018	31	11
S1227-1010BQ	CSP492-02-01-XXX-R27-L14	274K	281K	.018	32	11
S1227-1010BR	CSP492-02-01-XXX-R27-L14	274K	281K	.018	32	11
S10985 SERIES	CSP050-05-01-XXX-R27-L14	274K	281K	.018	33	11
S12571-010/-015C	R118-SP02-01-XXX-R27-L14	01S	93S	.018	34	11
S12571-025C/-050C/-100C	R118-SP02-01-XXX-R27-L14	01S	93S	.018	34	11
S1087/S1087-01	R118-SP02-01-XXX-R27-L14	01S	93S	.018	34	11
S1227-16BQ	CSP335-02-02-XXX-R27-L14	01S	93S	.018	35	11
S1227-16BR	CSP335-02-02-XXX-R27-L14	01S	93S	.018	35	11
S1133	R197-SP02-01-XXX-R27-L14	01S	93S	.018	36	11
S1133-01/-14	R197-SP02-01-XXX-R27-L14	01S	93S	.018	36	11
S1227-33BQ	CSP177-02-01-XXX-R27-L14	01S	93S	.018	37	12

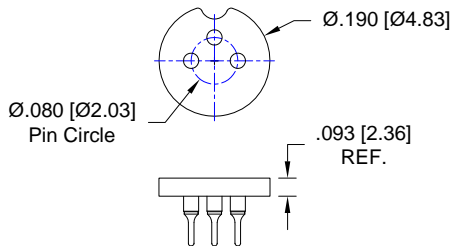
## Hamamatsu Sockets *Continued*

Hamamatsu Sockets Model Number	Andon Part Number Replace "XXX" with Terminal Type	Terminal Type		Pin Ø [in]	Figure Number	Page Number
		Thru-Hole	Surface Mount			
S1227-33BR	CSP177-02-01-XXX-R27-L14	01S	93S	.018	37	12
S4349	R200-1210-01T-XXX-R27-L14	274K	281K	.018	38	12
S11212-121	C10-618-18-01-XXX-R27-L14	01S	93S	.018	39	12
S11212-021	C10-618-18-01-XXX-R27-L14	01S	93S	.018	39	12
S11212-321	C10-618-18-01-XXX-R27-L14	01S	93S	.018	39	12
S11212-421	C10-618-18-01-XXX-R27-L14	01S	93S	.018	39	12
S11299	C10-318-18-01-XXX-R27-L14	01S	93S	.018	40	12
S11299-421	C10-318-18-01-XXX-R27-L14	01S	93S	.018	40	12
S11299-121	C10-318-18-01-XXX-R27-L14	01S	93S	.018	40	12
S11299-021	C10-318-18-01-XXX-R27-L14	01S	93S	.018	40	12
G7151-16	C10-318-18-01-XXX-R27-L14	01S	93S	.018	40	12
G7150-16	C10-318-18-01-XXX-R27-L14	01S	93S	.018	40	12
G12430-016D	C10-318-18-01-XXX-R27-L14	01S	93S	.018	40	12
S4111-16R	C10-318-18-01-XXX-R27-L14	01S	93S	.018	40	12
S4111-16Q	C10-318-18-01-XXX-R27-L14	01S	93S	.018	40	12
S11064	CSP551-32-01-XXX-R27-L14	01S	93S	.018	42	12
T11361-01	R100-0404-02T-XXX-R27-L14	75S	265S	.018	41	12
T11262-01	R100-0404-02T-XXX-R27-L14	75S	265S	.018	41	12
S8550-02	585-07-02-034-XXX-R29-L14	211M	265M	.018	43	13
P9696-102/-103	R400-SP06-01T-XXX-R29-L14	01S	93S	.018	44	13
P9696-202/-203	R400-SP06-01T-XXX-R29-L14	01S	93S	.018	44	13
S8664-30K	R295-0403-01T-XXX-R29-L14	01S	93S	.018	45	13
S8664-50K	R295-0403-01T-XXX-R29-L14	01S	93S	.018	45	13
S8890-30	R295-0403-01T-XXX-R29-L14	01S	93S	.018	45	13
S2385	R295-0403-01T-XXX-R29-L14	01S	93S	.018	45	13
S5345	R295-0403-01T-XXX-R29-L14	01S	93S	.018	45	13
S3274-05	C10-204-04-01-XXX-R29-L14	01S	93S	.018	47	13
S3096-02	C10-204-04-01-XXX-R29-L14	01S	93S	.018	47	13
G12430-032D	C10-640-40-01-XXX-R29-L14	01S	93S	.018	46	13
S24111-35Q	C10-640-40-01-XXX-R29-L14	01S	93S	.018	46	13
S4114-35Q	C10-640-40-01-XXX-R29-L14	01S	93S	.018	46	13
S3932	CSP200-04-02-XXX-R27-L14	01S	93S	.018	49	13
G12430-046D	C10-648-48-01-XXX-R29-L14	01S	93S	.018	48	13
S4111-46Q	C10-648-48-01-XXX-R29-L14	01S	93S	.018	48	13
S4114-46Q	C10-648-48-01-XXX-R29-L14	01S	93S	.018	48	13



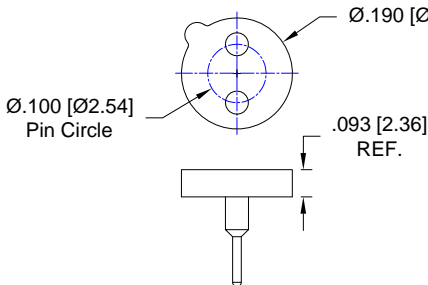
(FIG.1) HAMAMATSU	ANDON PART NUMBER
	THRU-HOLE: R080-0403-01N-433E-R27-L14
	SURFACE MOUNT: R080-0403-01N-285E-R27-L14

L7650  
L7650-53  
L6690-53  
L11854-307-05  
L11348-307-05



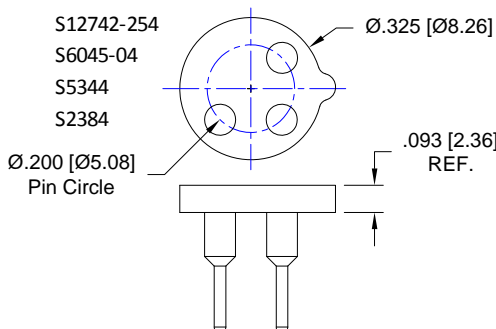
(FIG.3) HAMAMATSU	ANDON PART NUMBER
	THRU-HOLE: R100-0402-06T-75S-R27-L14
	SURFACE MOUNT: R100-0402-06T-265S-R27-L14

L7060-02      L1915-01  
L7690-02      L12756  
S1336-18BK    L1915  
S1336-18BQ    L1909  
S1336-18BU    L12771-01  
L2656          L12771  
L2656-03      L1915-02  
L1939-04      S1226-18BQ  
L1939          S1226-18BK  
S1226-18BU  
S1336-18B6



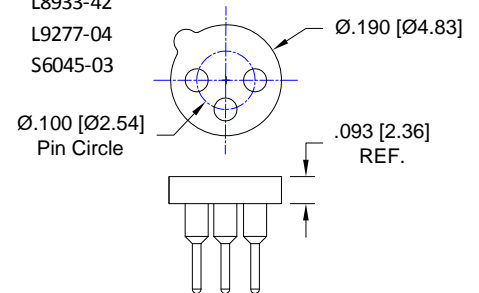
(FIG.5) HAMAMATSU	ANDON PART NUMBER
	THRU-HOLE: R200-0403-04T-01S-R27-L14
	SURFACE MOUNT: R200-0403-04T-93S-R27-L14

G8370-01      P791-13      S3884  
G8370-02      P8079-01     P3207-08  
G8370-03      P9217-02     P9696-02/-03  
G8370-82      P9217-03     S8664-02K/-05K/-10K/-20K  
G8370-83      S9075        S8890-02/-05/-10/-15  
G8372-03      S11499  
G8373-03      S12742-254  
P3207-05      S6045-04  
P791-11        S5344  
S6045-05      S2384



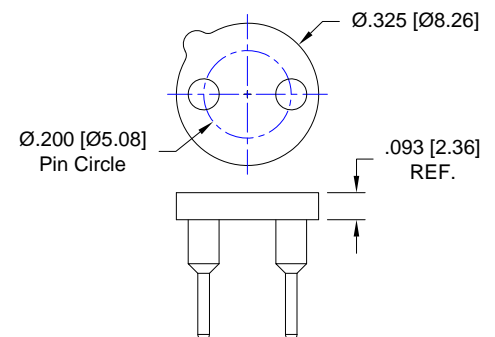
(FIG.2) HAMAMATSU	ANDON PART NUMBER
	THRU-HOLE: R100-0403-01T-75S-R27-L14
	SURFACE MOUNT: R100-0403-01T-265S-R27-L14

G6854-01      G8376-10      L8048-04      S12053-02/-05/-10  
G7096-01      G8421-03      L8414-04      S12023-02/-05/-10/-10A  
G8370-81      G8421-05      L8446-04      S12051  
G8371          G8422-03      L8446-42      S12086  
G8371-01      G8422-05      L8763-04      S12060-02/-05/-10  
G8371-03      G8423-03      L8763-41      68931-04  
G8372-01      G8423-05      L8763-42      68931-20  
G8373-01      L6690          L8933-04      S6045-02  
G8376-02      L7055-04      L8933-41  
G8376-03      L7695-04      L8933-42  
G8376-05      L7910          L9277-04  
L9418-04      S6045-01      S6045-03  
G9801-21  
G9801-32  
G9801-22



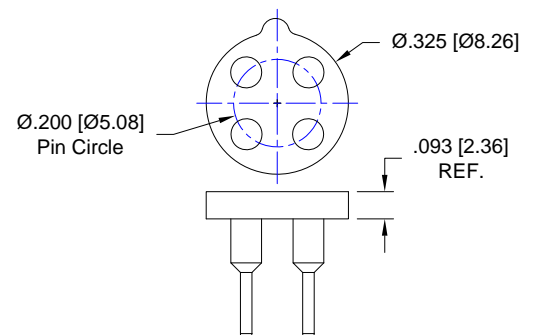
(FIG.4) HAMAMATSU	ANDON PART NUMBER
	THRU-HOLE: R200-0402-02T-01S-R27-L14
	SURFACE MOUNT: R200-0402-02T-93S-R27-L14

S1336-44BQ  
S1336-5BK  
S1336-5BQ  
S1223-01  
S1223  
S1226-5BQ  
S1226-44BQ  
S1226-5BK  
S1226-44BK



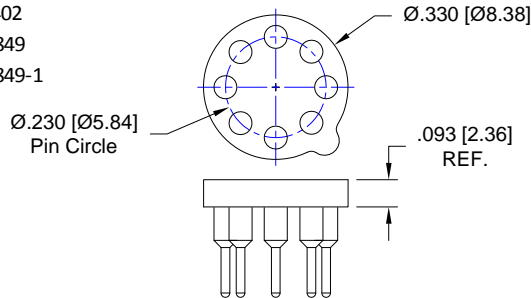
(FIG.6) HAMAMATSU	ANDON PART NUMBER
	THRU-HOLE: R200-0404-01T-01S-R27-L14
	SURFACE MOUNT: R200-0404-01T-93S-R27-L14

K1713-05  
K1713-08  
K1713-09  
T11722-01  
K11908-010K  
K1713-01/-002



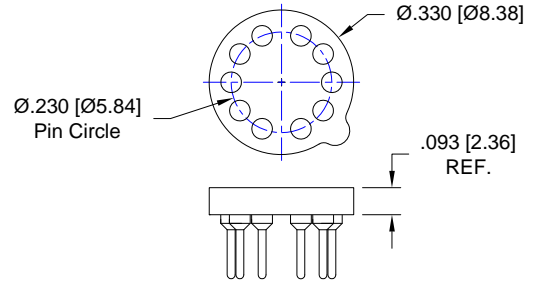
(FIG.7) HAMAMATSU	ANDON PART NUMBER
	THRU-HOLE: R230-0808-01T-75S-R27-L14
	SURFACE MOUNT: R230-0808-01T-265S-R27-L14

G6849-01  
S4402  
G6849  
G6849-1



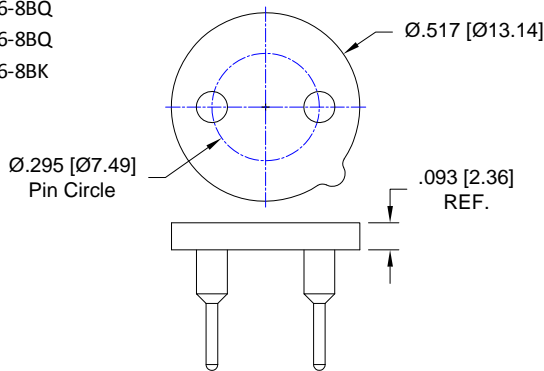
(FIG.8) HAMAMATSU	ANDON PART NUMBER
	THRU-HOLE: R230-1010-02T-211S-R27-L14
	SURFACE MOUNT: R230-1010-02T-265S-R27-L14

S8745-01



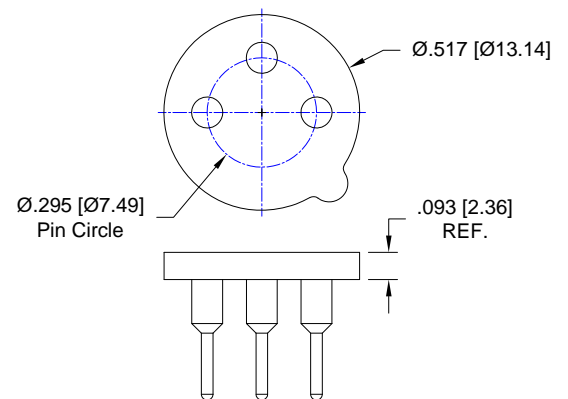
(FIG.9) HAMAMATSU	ANDON PART NUMBER
	THRU-HOLE: R295-0402-01T-01S-R27-L14
	SURFACE MOUNT: R295-0402-01T-93S-R27-L14

S1336-8BK  
S1336-8BQ  
S1226-8BQ  
S1226-8BK



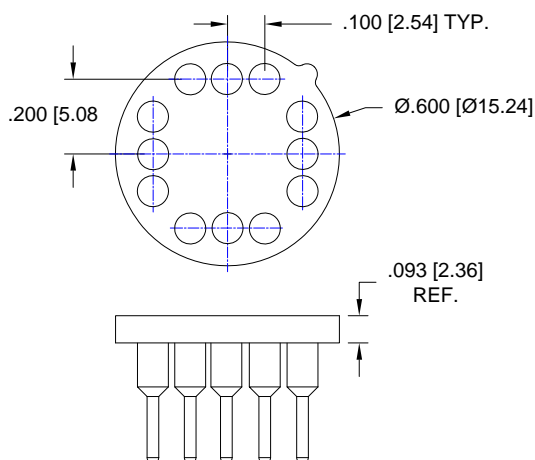
(FIG.10) HAMAMATSU	ANDON PART NUMBER
	THRU-HOLE: R295-0403-01T-01S-R27-L14
	SURFACE MOUNT: R295-0403-01T-93S-R27-L14

G6370-05  
G6370-85  
G8370-05  
G8370-85  
P9217-04  
S11499-01  
S6045-06



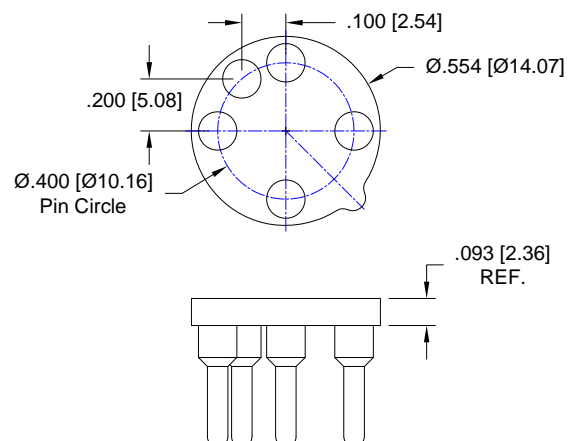
(FIG.11) HAMAMATSU	ANDON PART NUMBER
	THRU-HOLE: R400-SP12-02T-01S-R27-L14
	SURFACE MOUNT: R400-SP12-02T-93S-R27-L14

K3413-01  
K3413-02  
K3413-05  
K3413-08  
K3413-09  
S8746-01  
SB8746  
K3413-01/-002



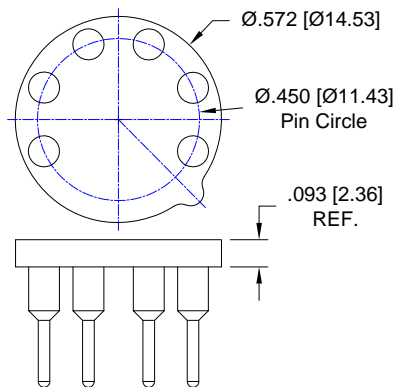
(FIG.12) HAMAMATSU	ANDON PART NUMBER
	THRU-HOLE: R400-SP05-01T-01S-R27-L14
	SURFACE MOUNT: R400-SP05-01T-93S-R27-L14

S2044

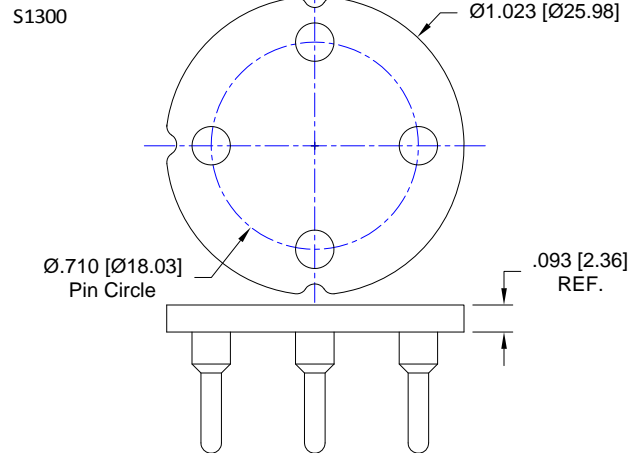


(FIG.13) HAMAMATSU	ANDON PART NUMBER
	THRU-HOLE: R400-SP05-01T-015-R27-L14
	SURFACE MOUNT: R400-SP05-01T-93S-R27-L14

- G5851-11 G8605-15 P2680-02
- G5851-13 G8605-21 P2680-03
- G5851-103 G8605-22 P3257-31
- G5852-11 G8605-23 P3981
- G5852-13 G8605-25 P6606-110
- G5852-21 P2038-02 P8079-11
- G5852-103 P2038-03 P2750-08
- G8605-11 P2532-01 P6606-210
- G8605-12 P2682-01 P8079-21
- G8605-13 P2750-06

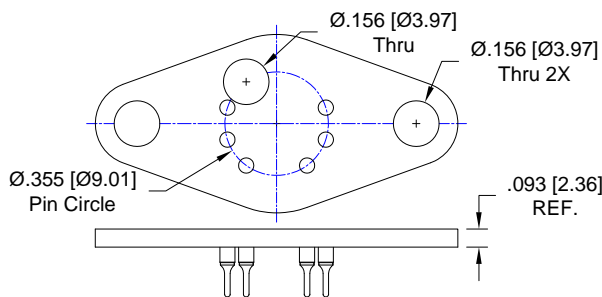


(FIG.14) HAMAMATSU	ANDON PART NUMBER
	THRU-HOLE: R710-0404-01N-295V-R27-L14
	SURFACE MOUNT: R710-0404-01T-439V-R27-L14

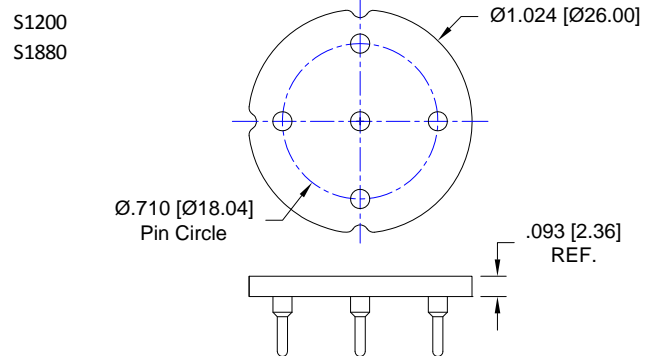


(FIG.15) HAMAMATSU	ANDON PART NUMBER
	THRU-HOLE: F355-SP06-01-274K-R27-L14
	SURFACE MOUNT: F355-SP06-01-281K-R27-L14

P3981-01

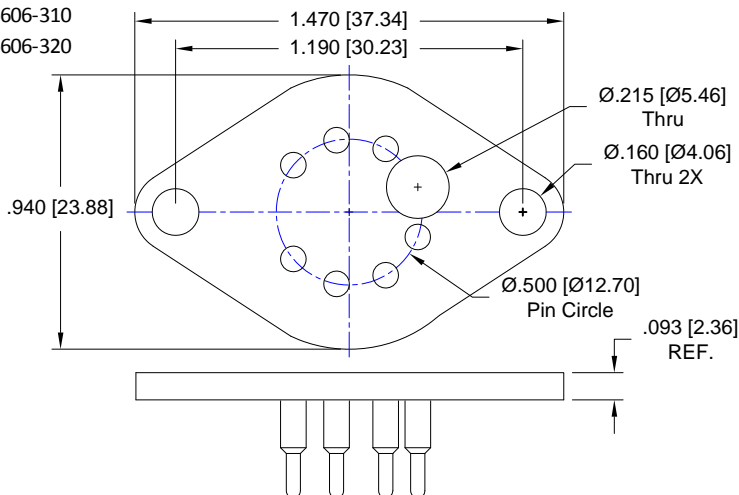


(FIG.16) HAMAMATSU	ANDON PART NUMBER
	THRU-HOLE: R710-SP05-01N-295V-R27-L14
	SURFACE MOUNT: R710-SP05-01N-439V-R27-L14

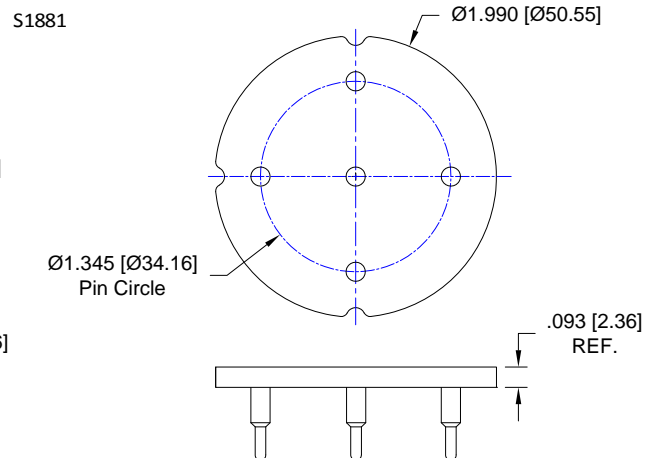


(FIG.17) HAMAMATSU	ANDON PART NUMBER
	THRU-HOLE: F500-SP07-01-433E-R27-L14
	SURFACE MOUNT: F500-SP07-01-285E-R27-L14

- P2750
- P2750-06
- P6606-305
- P6606-310
- P6606-320

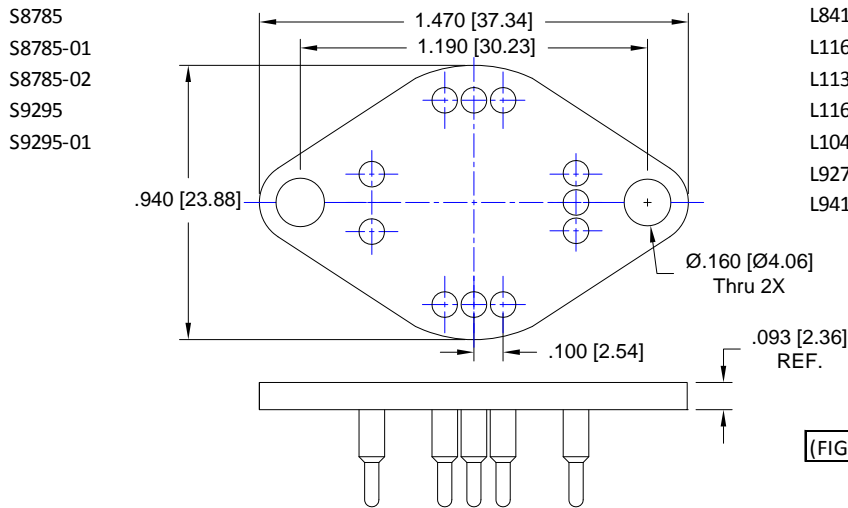


(FIG.18) HAMAMATSU	ANDON PART NUMBER
	THRU-HOLE: R1350-SP05-01-433E-R27-L14
	SURFACE MOUNT: R1350-SP05-01-285E-R27-L14

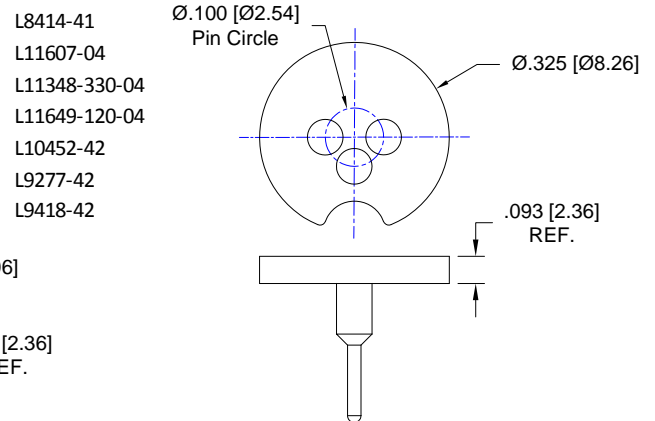




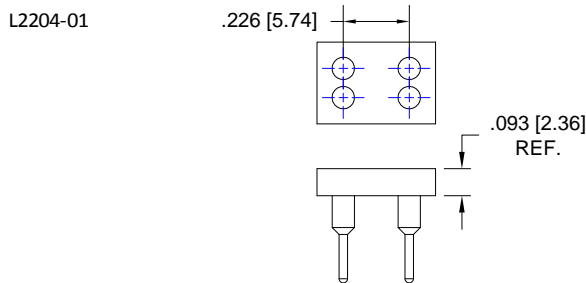
(FIG.19) HAMAMATSU	ANDON PART NUMBER
	THRU-HOLE: F700-SP11-01-433E-R27-L14
	SURFACE MOUNT: F700-SP11-01-285E-R27-L14



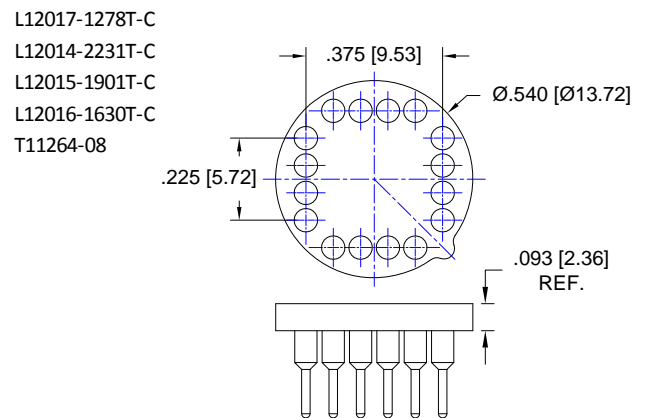
(FIG.20) HAMAMATSU	ANDON PART NUMBER
	THRU-HOLE: R100-0403-04N-75S-R27-L14
	SURFACE MOUNT: R100-0403-04N-265S-R27-L14



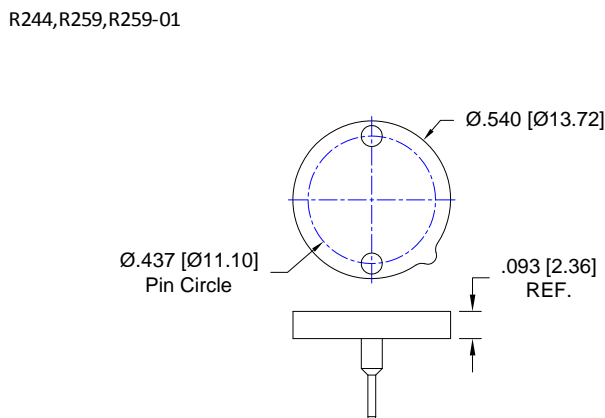
(FIG.21) HAMAMATSU	ANDON PART NUMBER
	THRU-HOLE: CSP226-04-01-01S-R27-L14
	SURFACE MOUNT: CSP226-04-01-93S-R27-L14



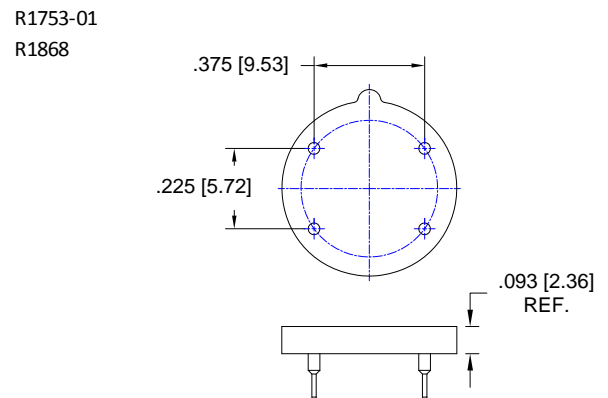
(FIG.22) HAMAMATSU	ANDON PART NUMBER
	THRU-HOLE: R375-SP16-01T-75S-R27-L14
	SURFACE MOUNT: R375-SP16-01T-265S-R27-L14



(FIG.23) HAMAMATSU	ANDON PART NUMBER
	THRU-HOLE: R437-0402-01T-01S-R27-L14
	SURFACE MOUNT: R437-0402-01T-93S-R27-L14

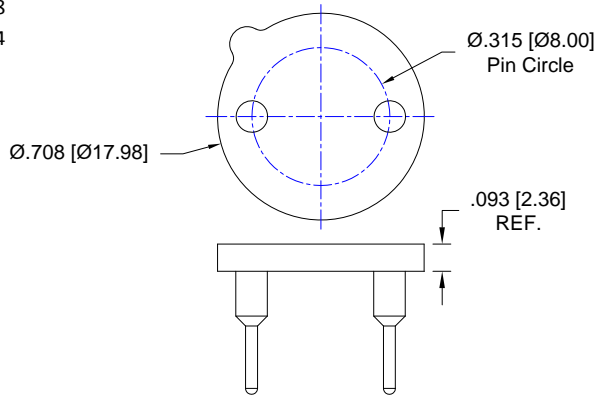


(FIG.24) HAMAMATSU	ANDON PART NUMBER
	THRU-HOLE: R469-0504-01T-433E-R27-L14
	SURFACE MOUNT: R469-0504-01T-285E-R27-L14



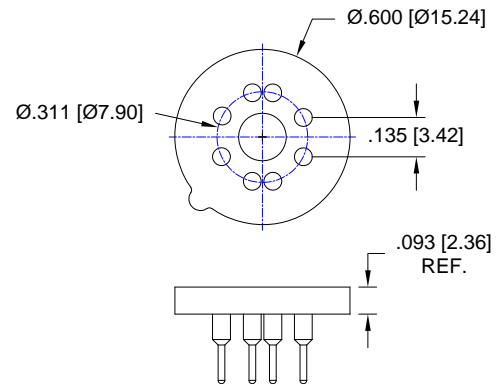
(FIG.25) HAMAMATSU	ANDON PART NUMBER
	THRU-HOLE: R315-0402-01T-01S-R27-L14
	SURFACE MOUNT: R315-0402-01T-93S-R27-L14

R2868  
R9454



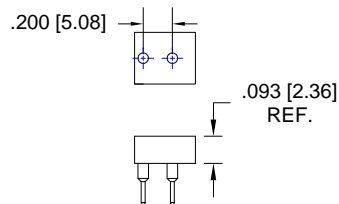
(FIG.26) HAMAMATSU	ANDON PART NUMBER
	THRU-HOLE: R311-SP08-01T-01D-R27-L14
	SURFACE MOUNT: R311-SP08-01T-93D-R27-L14

R9533



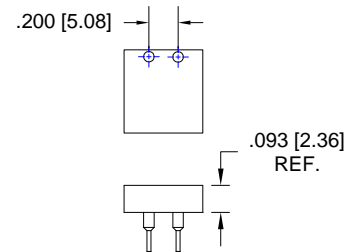
(FIG.27) HAMAMATSU	ANDON PART NUMBER
	THRU-HOLE: CSP200-02-01-01S-R27-L14
	SURFACE MOUNT: CSP200-02-01-93S-R27-L14

S8664-55



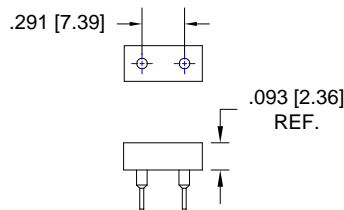
(FIG.28) HAMAMATSU	ANDON PART NUMBER
	THRU-HOLE: CSP200-02-02-01S-R27-L14
	SURFACE MOUNT: CSP200-02-02-93S-R27-L14

S8664-1010



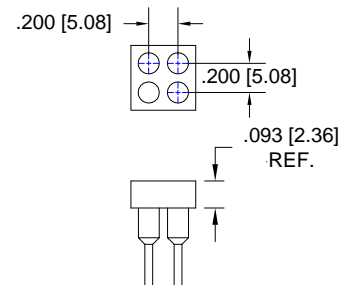
(FIG.29) HAMAMATSU	ANDON PART NUMBER
	THRU-HOLE: CSP291-02-01-01S-R27-L14
	SURFACE MOUNT: CSP291-02-01-93S-R27-L14

S1227-66BQ  
S1227-BR



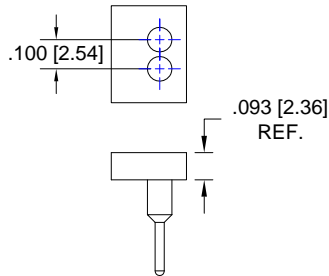
(FIG.30) HAMAMATSU	ANDON PART NUMBER
	THRU-HOLE: CSP200-04-01-01S-R27-L14
	SURFACE MOUNT: CSP200-04-01-93S-R27-L14

S3931



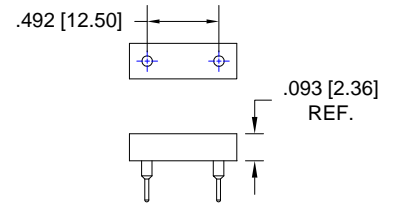
(FIG.31) HAMAMATSU	ANDON PART NUMBER
	THRU-HOLE: CSP100-02-01-274K-R27-L14 SURFACE MOUNT: CSP100-02-01-281K-R27-L14

S12572-010/-015C  
S12572-025C/-050C/-100C



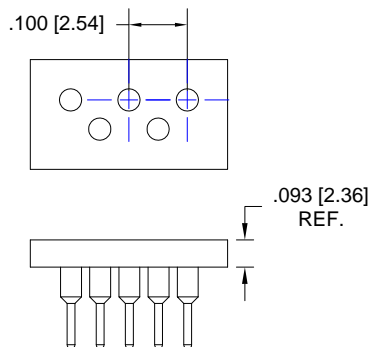
(FIG.32) HAMAMATSU	ANDON PART NUMBER
	THRU-HOLE: CSP492-02-01-274K-R27-L14 SURFACE MOUNT: CSP492-02-01-281K-R27-L14

S1227-1010BQ  
S1227-1010BR



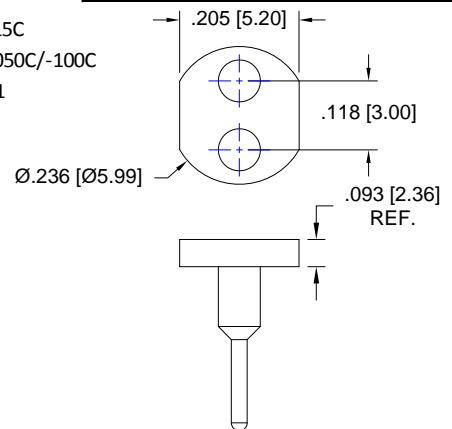
(FIG.33) HAMAMATSU	ANDON PART NUMBER
	THRU-HOLE: CSP050-05-01-274K-R27-L14 SURFACE MOUNT: CSP050-05-01-281K-R27-L14

S10985 SERIES



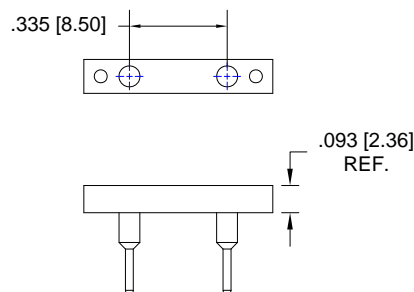
(FIG.34) HAMAMATSU	ANDON PART NUMBER
	THRU-HOLE: R118-SP02-01-01S-R27-L14 SURFACE MOUNT: R118-SP02-01-93S-R27-L14

S12571-010/-015C  
S12571-025C/-050C/-100C  
S1087/S1087-01



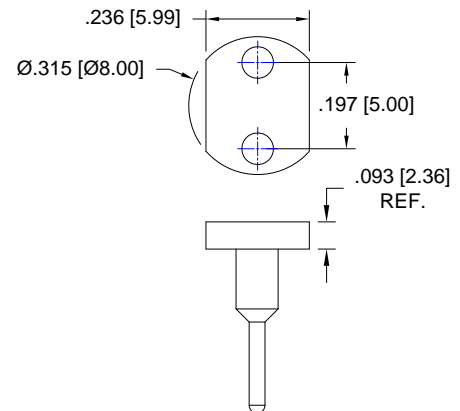
(FIG.35) HAMAMATSU	ANDON PART NUMBER
	THRU-HOLE: CSP335-02-02-01S-R27-L14 SURFACE MOUNT: CSP335-02-02-93S-R27-L14

S1227-16BQ  
S1227-16BR



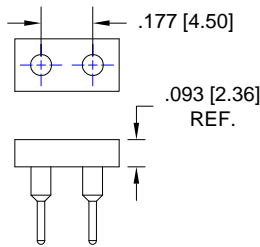
(FIG.36) HAMAMATSU	ANDON PART NUMBER
	THRU-HOLE: R197-SP02-01-01S-R27-L14 SURFACE MOUNT: R197-SP02-01-93S-R27-L14

S1133  
S1133-01/-14



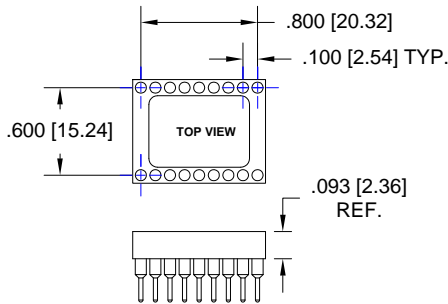
(FIG.37) HAMAMATSU	ANDON PART NUMBER
	THRU-HOLE: CSP177-02-01-01S-R27-L14 SURFACE MOUNT: CSP177-02-01-93S-R27-L14

S1227-33BQ  
S1227-33BR



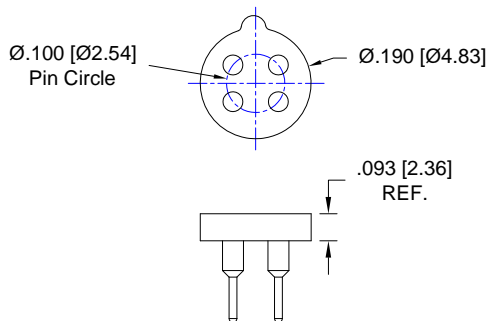
(FIG.39) HAMAMATSU	ANDON PART NUMBER
	THRU-HOLE: C10-618-18-01-01S-R27-L14 SURFACE MOUNT: C10-618-18-01-93S-R27-L14

S11212-121  
S11212-021  
S11212-321  
S11212-421



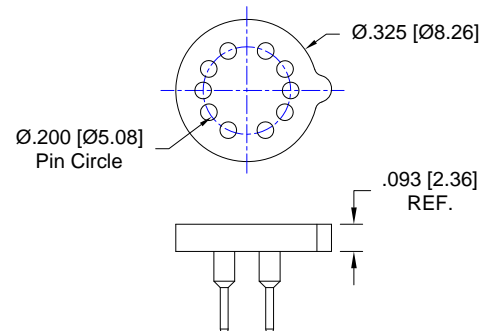
(FIG.41) HAMAMATSU	ANDON PART NUMBER
	THRU-HOLE: R100-0404-02T-75S-R27-L14 SURFACE MOUNT: R100-0404-02T-265S-R27-L14

T11361-01  
T11262-01



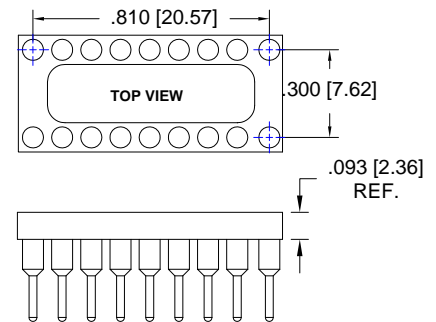
(FIG.38) HAMAMATSU	ANDON PART NUMBER
	THRU-HOLE: R200-1210-01T-274K-R27-L14 SURFACE MOUNT: R200-1210-01T-281K-R27-L14

S4349



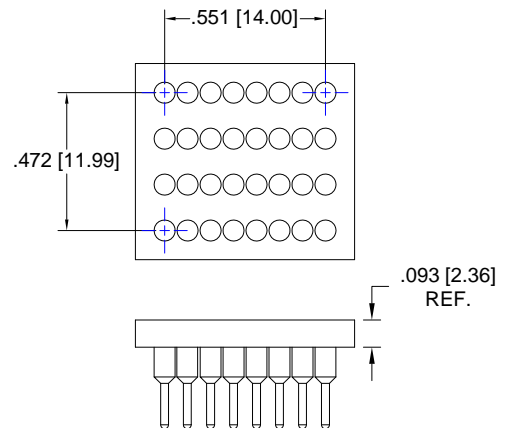
(FIG.40) HAMAMATSU	ANDON PART NUMBER
	THRU-HOLE: C10-318-18-01-01S-R27-L14 SURFACE MOUNT: C10-318-18-01-93S-R27-L14

S11299  
S11299-421  
S11299-121  
S11299-021  
G7151-16  
G7150-16  
G12430-016D  
S4111-16R  
S4111-16Q



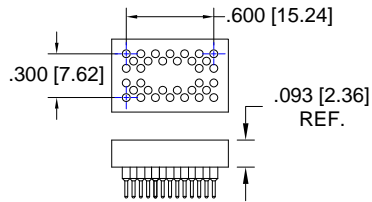
(FIG.42) HAMAMATSU	ANDON PART NUMBER
	THRU-HOLE: CSP551-32-01-01S-R27-L14 SURFACE MOUNT: CSP551-32-01-93S-R27-L14

S11064



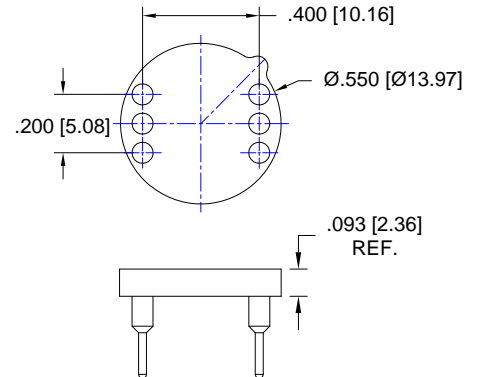
(FIG.43) HAMAMATSU	ANDON PART NUMBER
	THRU-HOLE: 585-07-02-034-211M-R29-L14
	SURFACE MOUNT: 585-07-02-034-265M-R29-L14

S8550-02



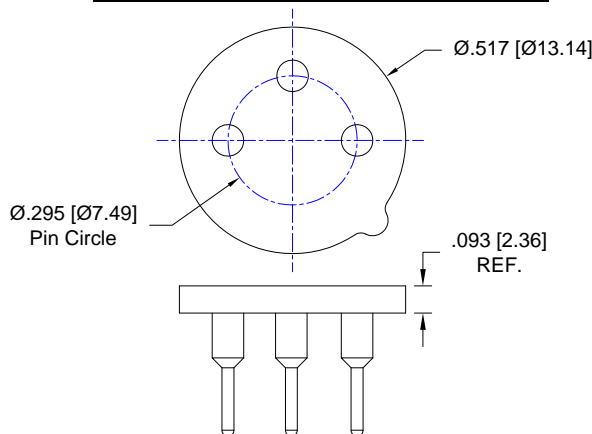
(FIG.44) HAMAMATSU	ANDON PART NUMBER
	THRU-HOLE: R400-SP06-01T-01S-R29-L14
	SURFACE MOUNT: R400-SP06-01T-93S-R29-L14

P9696-102/-103  
P9696-202/-203



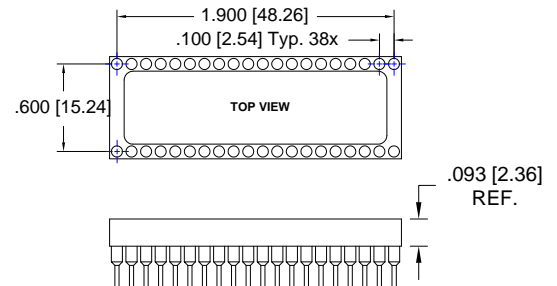
(FIG.45) HAMAMATSU	ANDON PART NUMBER
	THRU-HOLE: R295-0403-01T-01S-R29-L14
	SURFACE MOUNT: R295-0403-01T-93S-R29-L14

S8664-30K  
S8664-50K  
S8890-30  
S2385  
S5345



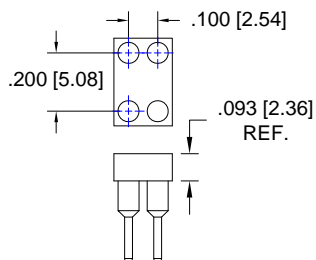
(FIG.46) HAMAMATSU	ANDON PART NUMBER
	THRU-HOLE: C10-640-40-01-01S-R29-L14
	SURFACE MOUNT: C10-640-40-01-93S-R29-L14

G12430-032D  
S4111-35Q  
S4114-35Q



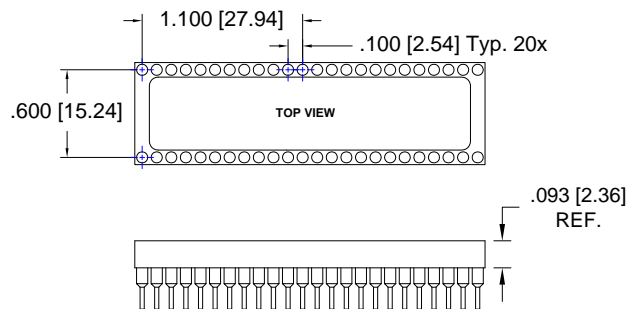
(FIG.47) HAMAMATSU	ANDON PART NUMBER
	THRU-HOLE: C10-204-04-01-01S-R29-L14
	SURFACE MOUNT: C10-204-04-01-93S-R29-L14

S3274-05  
S3096-02



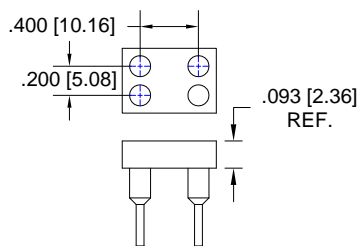
(FIG.48) HAMAMATSU	ANDON PART NUMBER
	THRU-HOLE: C10-648-48-01-01S-R29-L14
	SURFACE MOUNT: C10-648-48-01-93S-R29-L14

G12430-046D  
S4111-46Q  
S4114-46Q



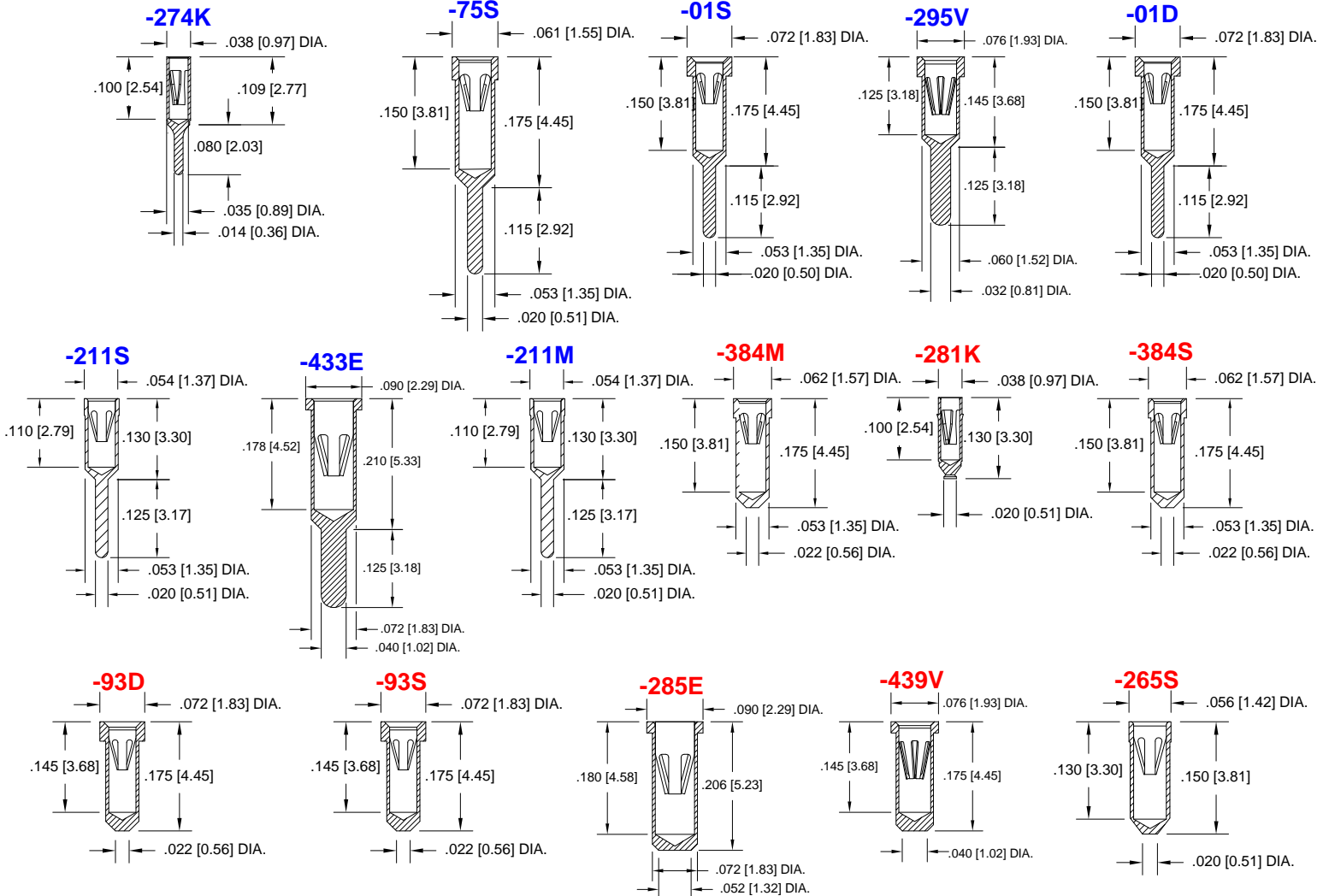
(FIG.49) HAMAMATSU	ANDON PART NUMBER
	THRU-HOLE: CSP200-04-02-01S-R27-L14
	SURFACE MOUNT: CSP200-04-02-93S-R27-L14

S3932





**Socket Terminal Details**  
Cross Section View Shown Units: in [mm]



**Technical Information**

**Material:**

Insulator: Hi-Temp UL 94V-O  
Terminal: Brass, per ASTM-B16  
Contact: BeCu, Per ASTM-B194

**Plating: RoHS COMPLIANT**

**R15 TERMINAL: GOLD / CONTACT: GOLD**

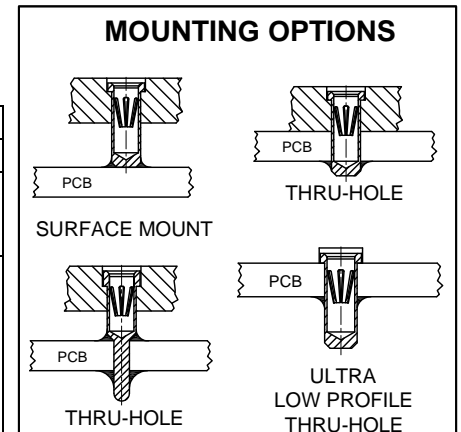
**R17 TERMINAL: TIN / CONTACT: GOLD**

**OTHER PLATINGS AVAILABLE**

**Terminal Acceptance and Forces**

Thru Hole Terminals				Surface Mount Terminals			
Thru Hole Terminal	Accepts Pin Diameter	Insertion Force	Withdrawal Force	Surface Mount Terminal	Accepts Pin Diameter	Insertion Force	Withdrawal Force
-01S	Ø.018 [Ø0.46]	9.0 oz Avg.	2.0 oz Min	-93S	Ø.018 [Ø0.46]	9.0 oz Avg.	2.0 oz Min
-295V	Ø.030 [Ø0.76]	13.2 oz Max	3.5 oz Min	-439V	Ø.030 [Ø0.76]	13.2 oz Max	3.5 oz Min
-433E	Ø.040 [Ø1.02]	36.0 oz Max	3.9 oz Min	-285E	Ø.040 [Ø1.02]	36.0 oz Max	3.9 oz Min
-274K	Ø.018 [Ø0.46]	1.0 oz Max	0.3 oz Min	-281K	Ø.018 [Ø0.46]	1.0 oz Max	0.3 oz Min
-75S	Ø.018 [Ø0.46]	9.0 oz Max	2.0 oz Min	-265S	Ø.018 [Ø0.46]	9.0 oz Max	2.0 oz Min
-211S	Ø.018 [Ø0.46]	9.0 oz Max	2.0 oz Min	-384S	Ø.018 [Ø0.46]	9.0 oz Max	2.0 oz Min
-01D	Ø.018 [Ø0.46]	9.0 oz Avg.	3.2 oz Min	-93D	Ø.018 [Ø0.46]	9.0 oz Avg.	3.2 oz Min
-211M	Ø.018 [Ø0.46]	1.6 oz Avg.	0.5 oz Min	-384M	Ø.018 [Ø0.46]	1.6 oz Avg.	0.5 oz Min

**MOUNTING OPTIONS**



**"ANDON PROPRIETARY INFORMATION"**

**RoHS Compliant**

\*Sockets are not drawn to scale HAMAMATSU 6/18/2014