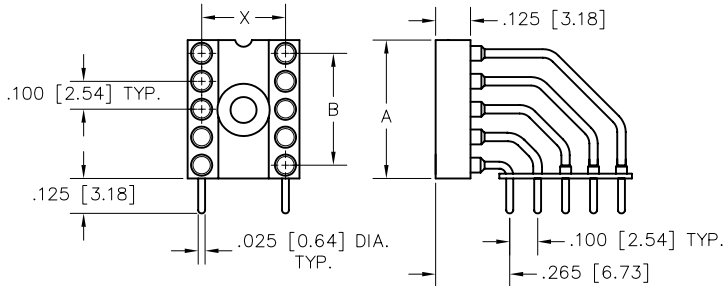


LEAD FREE AVAILABLE

**Vertical 90° (Solid Frame) 212 Series**

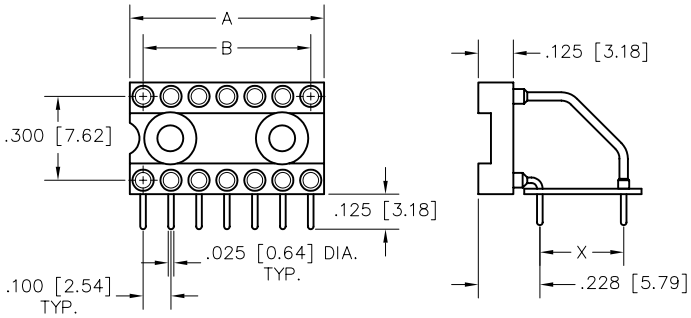
**Horizontal 90° (Solid Frame) 213 Series**

**SERIES 212**



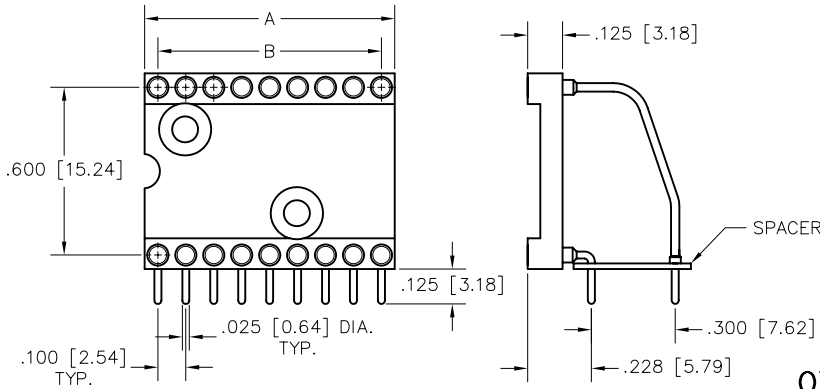
SERIES 212 VERTICAL				
			X=.300[7.62]	X=.600[15.24]
PIN	DIM "A"	DIM "B"	ORDER-CODE	ORDER-CODE
6	.295 [7.49]	.200 [5.08]	-306-289S-	-606-289S-
8	.395 [10.03]	.300 [7.62]	-308-289S-	-608-289S-
10	.495 [12.57]	.400 [10.16]	-310-289S-	-610-289S-
14	.695 [17.65]	.600 [15.24]	-314-289S-	-614-289S-
16	.795 [20.19]	.700 [17.78]	-316-289S-	-616-289S-
18	.895 [22.73]	.800 [20.32]	-318-289S-	-618-289S-
20	.995 [25.27]	.900 [22.86]	-320-289S-	-620-289S-

**SERIES 213**



SERIES 213 HORIZONTAL				
			X=.300[7.62]	X=.100[2.54]
PIN	DIM "A"	DIM "B"	ORDER-CODE	ORDER-CODE
6	.295 [7.49]	.200 [5.08]	-306-296S-	-306-297S-
8	.395 [10.03]	.300 [7.62]	-308-296S-	-308-297S-
10	.495 [12.57]	.400 [10.16]	-310-296S-	-310-297S-
14	.695 [17.65]	.600 [15.24]	-314-296S-	-314-297S-
16	.795 [20.19]	.700 [17.78]	-316-296S-	-316-297S-
18	.895 [22.73]	.800 [20.32]	-318-296S-	-318-297S-
20	.995 [25.27]	.900 [22.86]	-320-296S-	-320-297S-
24	1.195 [30.35]	1.100 [27.94]	-324-296S-	-324-297S-

**SERIES 213**



SERIES 213 HORIZONTAL			
PIN	DIM "A"	DIM "B"	ORDER-CODE
16	.795 [20.19]	.700 [17.78]	-616-290S-
18	.895 [22.73]	.800 [20.32]	-618-290S-
20	.995 [25.27]	.900 [22.86]	-620-290S-
22	1.095 [27.81]	1.000 [25.40]	-622-290S-
24	1.195 [30.35]	1.100 [27.94]	-624-290S-
28	1.395 [35.43]	1.300 [33.02]	-628-290S-
30	1.495 [37.97]	1.400 [35.56]	-630-290S-
32	1.595 [40.51]	1.500 [38.10]	-632-290S-
36	1.795 [45.59]	1.700 [43.18]	-636-290S-
40	1.995 [50.67]	1.900 [48.26]	-640-290S-

**CONTACT TYPE**

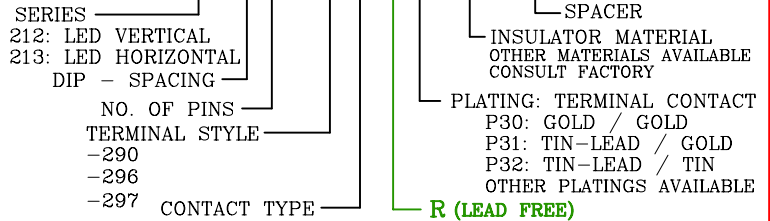
S: STANDARD DIP    INSERTION FORCE 9.0 oz. AVG.  
                              WITHDRAWAL FORCE 2.0 oz. MIN.

**TECHNICAL SPECIFICATIONS**

**MATERIAL INSULATOR** GLASS FILLED POLYESTER  
UL 94V-0 LISTED  
**TERMINAL CONTACT** BRASS PER ASTM-B16  
BeCu PER ASTM-B194  
**OPERATING TEMP.** -65°C TO +125°C

**ORDERING INFORMATION**

212-XXX-289S-PXX-B15-SP  
213-XXX-XXXS-PXX-B15-SP



R (LEAD FREE)  
TERMINAL: TIN PLATING