

SGX SENSORTECH (IS) LTD.						
SGX SENSORTECH (IS) LTD. Model Number	Andon Part Number Replace "XXX" with Terminal Type	Terminal Type		Pin Ø [in]	Figure Number	Page Number
		Thru-Hole	Surface Mount			
SGX-40X	R530-0403-02N-XXX-R27-L14	436P55	440P55	.060	1	2
4CO	R530-0403-02N-XXX-R27-L14	436P55	440P55	.060	1	2
4H2S	R530-0403-02N-XXX-R27-L14	436P55	440P55	.060	1	2
EC410	R530-0403-02N-XXX-R27-L14	436P55	440P55	.060	1	2
EC4-1000-H2	R530-0403-02N-XXX-R27-L14	436P55	440P55	.060	1	2
EC4-1000-H2S	R530-0403-02N-XXX-R27-L14	436P55	440P55	.060	1	2
EC4-1000-PH3	R530-0403-02N-XXX-R27-L14	436P55	440P55	.060	1	2
EC4-100-H2S	R530-0403-02N-XXX-R27-L14	436P55	440P55	.060	1	2
EC4-10-ETO	R530-0403-02N-XXX-R27-L14	436P55	440P55	.060	1	2
EC4-1-CIO2	R530-0403-02N-XXX-R27-L14	436P55	440P55	.060	1	2
EC4-2000-CO	R530-0403-02N-XXX-R27-L14	436P55	440P55	.060	1	2
EC4-2000-NO	R530-0403-02N-XXX-R27-L14	436P55	440P55	.060	1	2
EC4-2000-SO2	R530-0403-02N-XXX-R27-L14	436P55	440P55	.060	1	2
EC4-200-C12	R530-0403-02N-XXX-R27-L14	436P55	440P55	.060	1	2
EC4-20-N02	R530-0403-02N-XXX-R27-L14	436P55	440P55	.060	1	2
EC4-20-PH3	R530-0403-02N-XXX-R27-L14	436P55	440P55	.060	1	2
EC4-20-S02	R530-0403-02N-XXX-R27-L14	436P55	440P55	.060	1	2
EC4-250-NO	R530-0403-02N-XXX-R27-L14	436P55	440P55	.060	1	2
EC4-500-CO	R530-0403-02N-XXX-R27-L14	436P55	440P55	.060	1	2
EC4-50-C102	R530-0403-02N-XXX-R27-L14	436P55	440P55	.060	1	2
IR11BD	R390-SP06-01T-XXX-R27-L14	436P55	440P55	.060	3	3
IR11BR	R390-SP06-01T-XXX-R27-L14	436P55	440P55	.060	3	3
IR11EJ/IR21EJ	R390-SP06-01T-XXX-R27-L14	436P55	440P55	.060	3	3
IR11EM/IR21EM	R390-SP06-01T-XXX-R27-L14	436P55	440P55	.060	3	3
IR11GJ/IR21GJ	R390-SP06-01T-XXX-R27-L14	436P55	440P55	.060	3	3
IR11GM/IR21GM	R390-SP06-01T-XXX-R27-L14	436P55	440P55	.060	3	3
IR12EJ/IR22EJ	R390-SP06-01T-XXX-R27-L14	436P55	440P55	.060	3	3
IR12EM/IR12GM	R390-SP06-01T-XXX-R27-L14	436P55	440P55	.060	3	3
IR12GJ/IR22GJ	R390-SP06-01T-XXX-R27-L14	436P55	440P55	.060	3	3
IR14BD	R390-SP06-01T-XXX-R27-L14	436P55	440P55	.060	3	3
IR15TT	R390-SP06-01T-XXX-R27-L14	436P55	440P55	.060	3	3
IR15TT-M	R390-SP06-01T-XXX-R27-L14	436P55	440P55	.060	3	3
IR23BD	R390-SP06-01T-XXX-R27-L14	436P55	440P55	.060	3	3
IR25TT	R390-SP06-01T-XXX-R27-L14	436P55	440P55	.060	3	3
IR25TT-M	R390-SP06-01T-XXX-R27-L14	436P55	440P55	.060	3	3
IR31BC	R390-SP06-01T-XXX-R27-L14	436P55	440P55	.060	3	3
IR31CE	R390-SP06-01T-XXX-R27-L14	436P55	440P55	.060	3	3
IR31CEN	R390-SP06-01T-XXX-R27-L14	436P55	440P55	.060	3	3
IR31SC	R390-SP06-01T-XXX-R27-L14	436P55	440P55	.060	3	3
IR32BC	R390-SP06-01T-XXX-R27-L14	436P55	440P55	.060	3	3
IR33BC	R390-SP06-01T-XXX-R27-L14	436P55	440P55	.060	3	3
IR81BB	R390-SP06-01T-XXX-R27-L14	436P55	440P55	.060	3	3
IR82BB	R390-SP06-01T-XXX-R27-L14	436P55	440P55	.060	3	3
MICS-2714	620-10A-SM-G10-L14-X	-	-	-	7	4
MICS-4514	620-10A-SM-G10-L14-X	-	-	-	7	4
MICS-5524	620-10A-SM-G10-L14-X	-	-	-	7	4
MICS-5914	620-10A-SM-G10-L14-X	-	-	-	7	4
MICS-6814	620-10A-SM-G10-L14-X	-	-	-	7	4
SGX-4CO	R530-0403-02N-XXX-R27-L14	436P55	440P55	.060	1	2
SGX-4H2S	R530-0403-02N-XXX-R27-L14	436P55	440P55	.060	1	2
SGX-4NH3	R530-0403-02N-XXX-R27-L14	436P55	440P55	.060	1	2
SGX-70X	R700-0402-01N-XXX-R27-L14	436P55	440P55	.060	2	2
SGX-7CO	R670-0804-02N-XXX-R27-L14	433E	285E	.040	4	3
SGX-7H2S	R670-0804-02N-XXX-R27-L14	433E	285E	.040	4	3

SGX SENSORTECH (IS) LTD.						
SGX SENSORTECH (IS) LTD. Model Number	Andon Part Number Replace "XXX" with Terminal Type	Terminal Type		Pin Ø [in]	Figure Number	Page Number
		Thru-Hole	Surface Mount			
SGX-7NH3	R670-0804-02N-XXX-R27-L14	433E	285E	.040	4	3
SMIR04-IR11GJ	R390-SP06-01T-XXX-R27-L14	436P55	440P55	.060	3	3
SMIR04-IR11GM	R390-SP06-01T-XXX-R27-L14	436P55	440P55	.060	3	3
SMIR04-IR12GJ	R390-SP06-01T-XXX-R27-L14	436P55	440P55	.060	3	3
SMIR04-IR12GM	R390-SP06-01T-XXX-R27-L14	436P55	440P55	.060	3	3
VQ21T	R140-0402-01T-XXX-R27-L14	01S	93S	.018	6	3
VQ21TS	R140-0402-01T-XXX-R27-L14	01S	93S	.018	6	3
VQ31MB	R140-0402-01T-XXX-R27-L14	01S	93S	.018	6	3
VQ35	R140-0402-01T-XXX-R27-L14	01S	93S	.018	6	3
VQ35M	R140-0402-01T-XXX-R27-L14	01S	93S	.018	6	3
VQ35MB	R140-0402-01T-XXX-R27-L14	01S	93S	.018	6	3
VQ3B	R140-0402-01T-XXX-R27-L14	01S	93S	.018	6	3
VQ3B	R140-0402-01T-XXX-R27-L14	01S	93S	.018	6	3
VQ3B5	R140-0402-01T-XXX-R27-L14	01S	93S	.018	6	3
VQ3BJ	R140-0402-01T-XXX-R27-L14	01S	93S	.018	6	3
VQ41TSB	R140-0402-01T-XXX-R27-L14	01S	93S	.018	6	3
VQ546M	R300-SP03-02T-XXX-R27-L14	436P55	440P55	.060	5	3
VQ546MR	R300-SP03-02T-XXX-R27-L14	436P55	440P55	.060	5	3
VQ547TS	R300-SP03-02T-XXX-R27-L14	436P55	440P55	.060	5	3
VQ548	R300-SP03-02T-XXX-R27-L14	436P55	440P55	.060	5	3
VQ549	R300-SP03-02T-XXX-R27-L14	436P55	440P55	.060	5	3
VQ5MB	R140-0402-01T-XXX-R27-L14	01S	93S	.018	6	3
VQ6MB	R140-0402-01T-XXX-R27-L14	01S	93S	.018	6	3

Heat sink socket available to reduce heat and noise. Contact Andon for details.

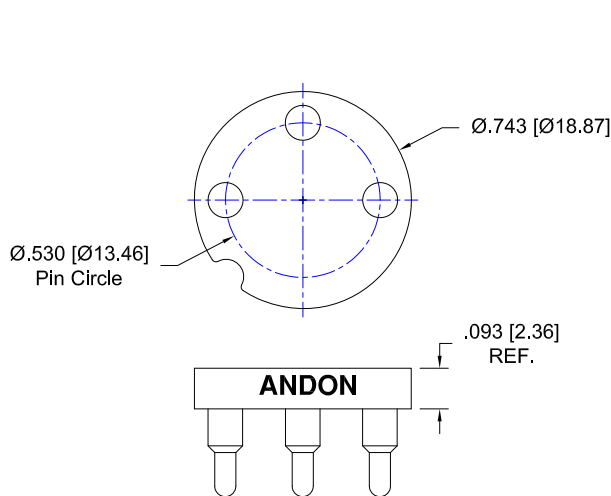


Fig. 1
Thru-hole: R530-0403-02N-436P55-R27-L14
Surface Mount: R530-0403-02N-440P55-R27-L14

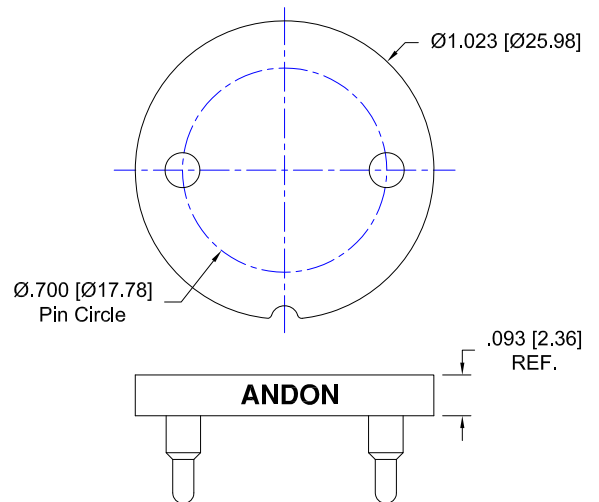


Fig. 2
Thru-Hole: R700-0402-01N-436P55-R27-L14
Surface Mount: R700-0402-01N-440P55-R27-L14

SGX SENSORTECH (IS) LTD. Continued

Top View Shown
Units: in [mm]

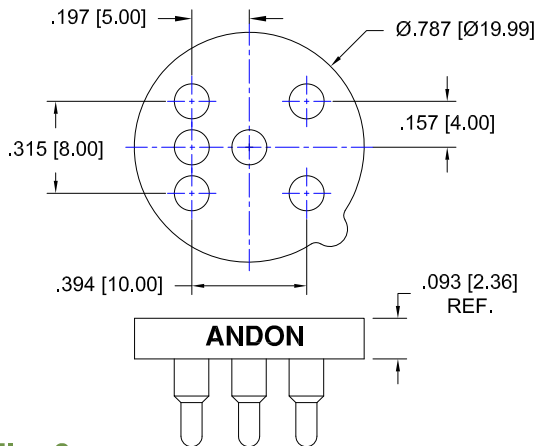


Fig. 3
Thru-hole: R390-SP06-01T-436P55-R27-L14
Surface Mount: R390-SP06-01T-440P55-R27-L14

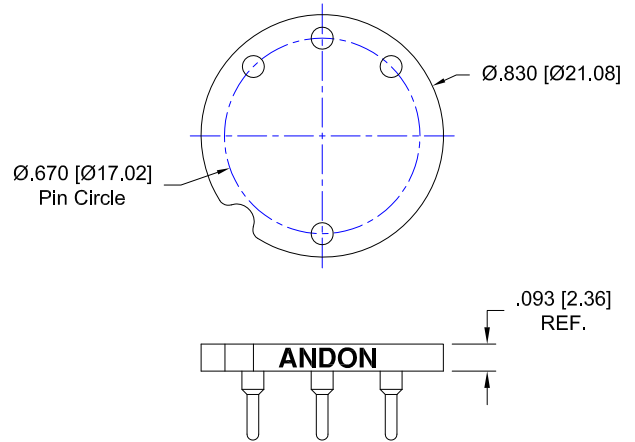


Fig. 4
Thru-Hole: R670-0804-02N-433E-R27-L14
Surface Mount: R670-0804-02N-285E-R27-L14

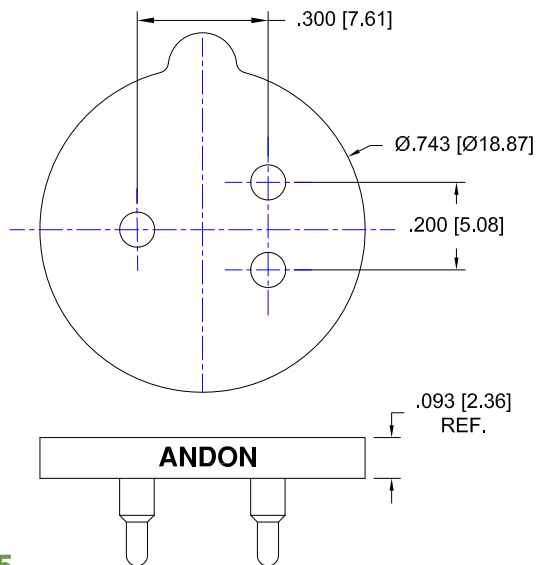


Fig. 5
Thru-hole: R300-SP03-02T-436P55-R27-L14
Surface Mount: R300-SP03-02T-440P55-R27-L14

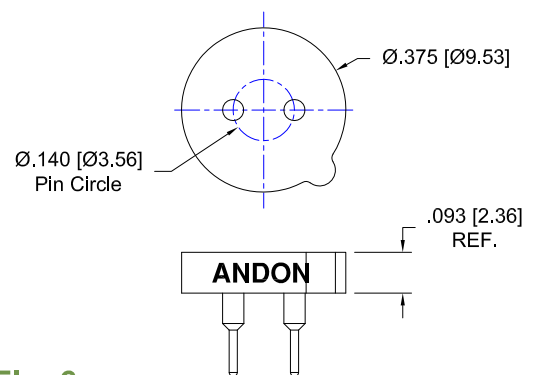
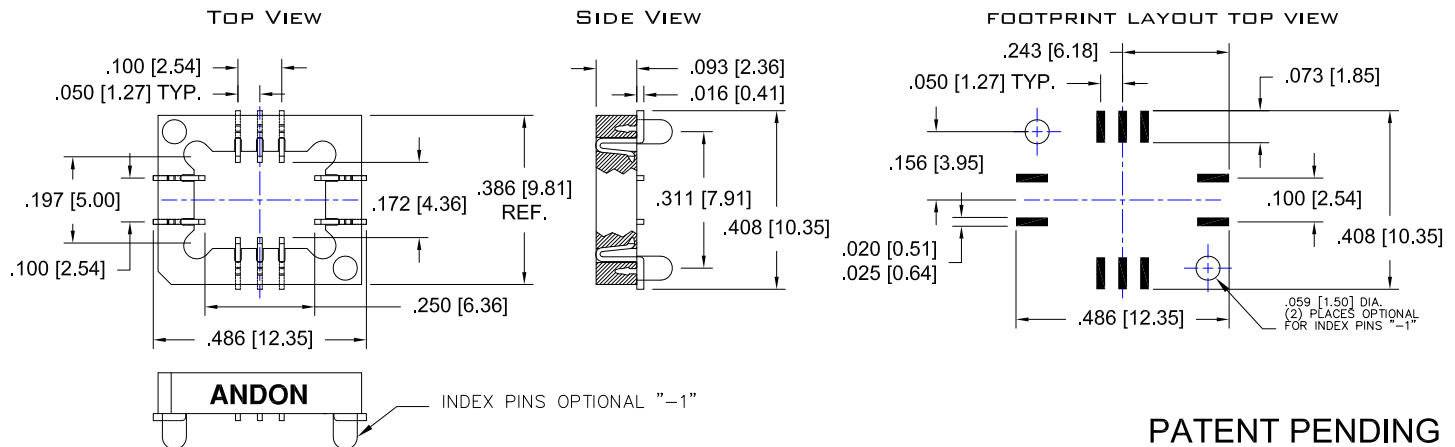


Fig. 6
Thru-hole: R140-0402-01T-01S-R27-L14
Surface Mount: R140-0402-01T-93S-R27-L14

SGX SENSORTECH (IS) LTD. *Continued*

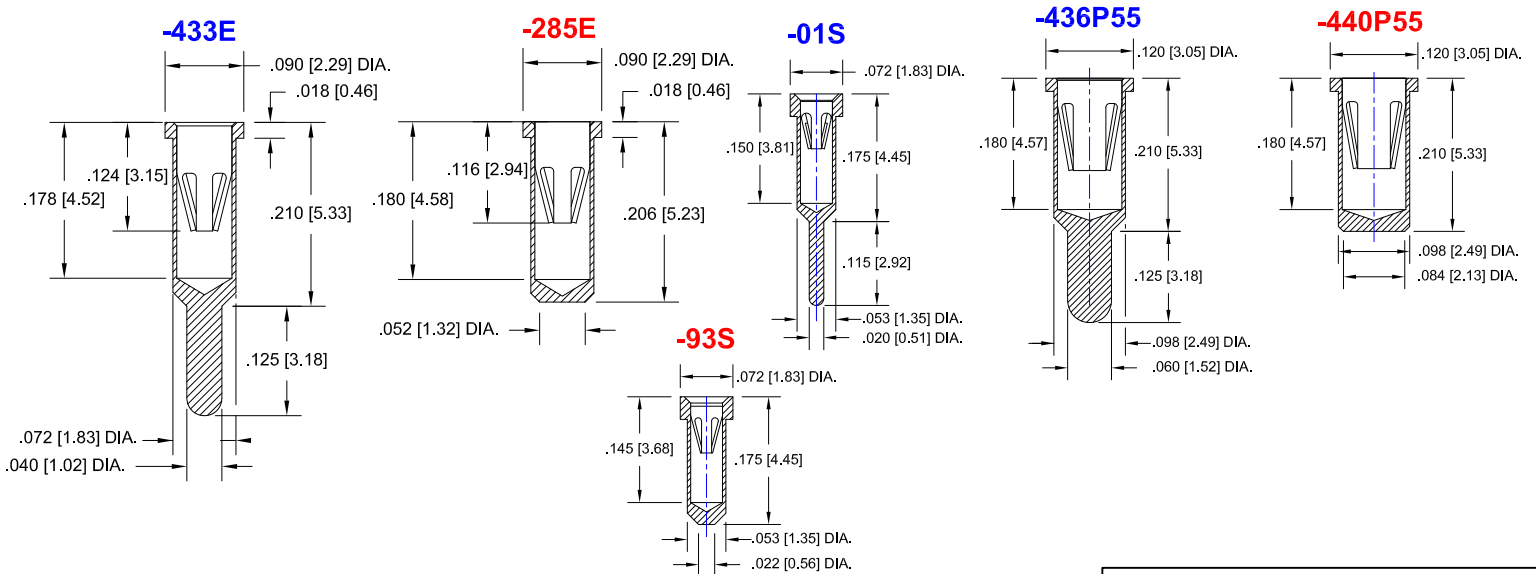
Top View Shown
Units: in [mm]



PATENT PENDING

Fig. 7

Surface Mount: 620-10A-SM-G10-L14-X



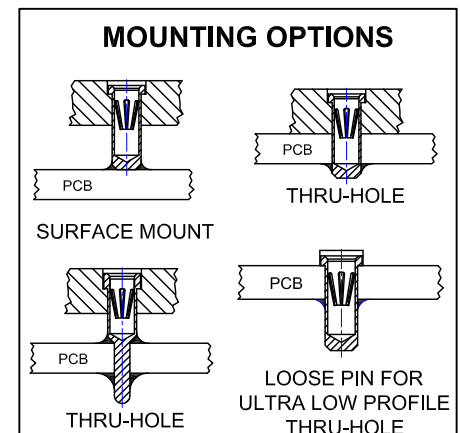
Technical Information

Material:

Insulator: Hi-Temp UL 94V-O
 Terminal: Brass, per ASTM-B16
 Contact: BeCu, Per ASTM-B194

Plating: RoHS COMPLIANT
R27 TERMINAL: GOLD / CONTACT: GOLD
OTHER PLATINGS AVAILABLE

Terminal Acceptance and Forces							
Thru Hole Terminals				Surface Mount Terminals			
Thru Hole Terminal	Accepts Pin Diameter	Insertion Force	Withdrawal Force	Surface Mount Terminal	Accepts Pin Diameter	Insertion Force	Withdrawal Force
-01S	Ø.018 [Ø0.46]	9.0 oz Avg.	2.0 oz Min	-93S	Ø.018 [Ø0.46]	9.0 oz Avg.	2.0 oz Min
-433E	Ø.040 [Ø1.02]	36.0 oz Avg.	3.9 oz Min	-285E	Ø.040 [Ø1.02]	36.0 oz Avg.	3.9 oz Min
-436P55	Ø.060 [Ø1.52]	15.5 oz Avg.	2.1 oz Min	-440P55	Ø.060 [Ø1.52]	15.5 oz Avg.	2.1 oz Min



"ANDON PROPRIETARY INFORMATION"
RoHS Compliant

*Sockets are not drawn to scale SGX Sensortech (IS) Ltd. 6/4/2015

©Copyright 2015 Andon Electronics Corporation. All Rights Reserved. This material is protected under US and other copyrights and may not be copied, sold, or redistributed in any form without written permission of Andon Electronics Corporation. Copyrights and trademarks are property of their respective companies. We reserve the right to change specifications without notice. Andon makes no warranty, expressed or implied, as to the suitability of the sockets for the intended purpose.