

VIGO SYSTEMS S.A.						
VIGO SYSTEMS S.A. Model Number	Andon Part Number Replace "XXX" with Terminal Type	Terminal Type		Pin Ø [in]	Figure Number	Page Number
		Thru-Hole	Surface Mount			
PC-4TE	R400-SP12-01T-XXX-R27-L14	01S	93S	.018	1	1
PVI-3TE	R400-SP12-01T-XXX-R27-L14	01S	93S	.018	1	1
PCI-2TE	R400-SP12-01T-XXX-R27-L14	01S	93S	.018	1	1
PVI	R400-SP12-01T-XXX-R27-L14	01S	93S	.018	1	1
PV-2TE	R400-SP12-01T-XXX-R27-L14	01S	93S	.018	1	1
PC-2TE	R400-SP12-01T-XXX-R27-L14	01S	93S	.018	1	1
PVI-4TE	R400-SP12-01T-XXX-R27-L14	01S	93S	.018	1	1
PCI-3TE	R400-SP12-01T-XXX-R27-L14	01S	93S	.018	1	1
PVI-2TE	R400-SP12-01T-XXX-R27-L14	01S	93S	.018	1	1
PV-3TE	R400-SP12-01T-XXX-R27-L14	01S	93S	.018	1	1
PC-3TE	R400-SP12-01T-XXX-R27-L14	01S	93S	.018	1	1
PCI-4TE	R400-SP12-01T-XXX-R27-L14	01S	93S	.018	1	1
DV-4TE	R400-SP12-01T-XXX-R27-L14	01S	93S	.018	1	1
PVM-2TE	R400-SP12-01T-XXX-R27-L14	01S	93S	.018	1	1
PVMI-2TE	R400-SP12-01T-XXX-R27-L14	01S	93S	.018	1	1
PVMI-3TE	R400-SP12-01T-XXX-R27-L14	01S	93S	.018	1	1
PVMI-4TE	R400-SP12-01T-XXX-R27-L14	01S	93S	.018	1	1
PUMI	R200-0403-03T-XXX-R27-L14	01S	93S	.018	2	1
DT-TO	R200-0403-03T-XXX-R27-L14	01S	93S	.018	2	1
PV	R200-0403-03T-XXX-R27-L14	01S	93S	.018	2	1
PCI	R200-0403-03T-XXX-R27-L14	01S	93S	.018	2	1
D7-TO39.002	R200-0403-03T-XXX-R27-L14	01S	93S	.018	2	1
PVM	R200-0403-03T-XXX-R27-L14	01S	93S	.018	2	1
TO39	R200-0403-03T-XXX-R27-L14	01S	93S	.018	2	1

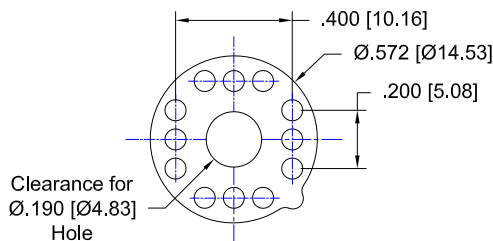


FIG: 1
Thru-Hole: R400-SP12-01T-01S-R27-L14
Surface Mount: R400-SP12-01T-93S-R27-L14

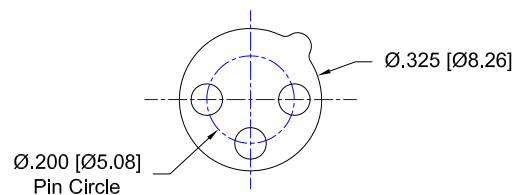
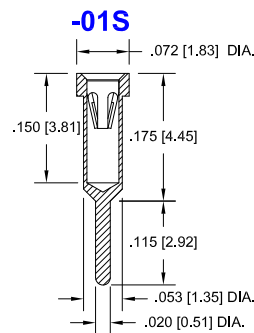
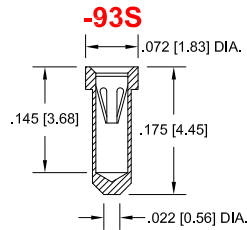


FIG: 2
Thru-Hole: R200-0403-03T-01S-R27-L14
Surface Mount: R200-0403-03T-93S-R27-L14

VIGO SYSTEMS S.A. *Continued* Socket Terminal Details Cross Section View Shown Units: in [mm]



Technical Information

Material:

Insulator: Hi-Temp UL 94V-0
Terminal: Brass, per ASTM-B16
Contact: BeCu, Per ASTM-B194

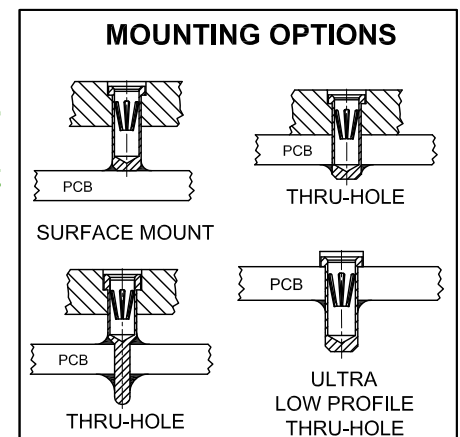
Plating: RoHS COMPLIANT

R15 TERMINAL: GOLD / CONTACT: GOLD

R17 TERMINAL: TIN / CONTACT: GOLD

OTHER PLATINGS AVAILABLE

Terminal Acceptance and Forces							
Thru Hole Terminals				Surface Mount Terminals			
Thru Hole Terminal	Accepts Pin Diameter	Insertion Force	Withdrawal Force	Surface Mount Terminal	Accepts Pin Diameter	Insertion Force	Withdrawal Force
-01S	Ø.018 [Ø0.46]	9.0 oz Avg.	2.0 oz Min	-93S	Ø.018 [Ø0.46]	9.0 oz Avg.	2.0 oz Min



©Copyright 2015 Andon Electronics Corporation. All Rights Reserved. This material is protected under US and other copyrights and may not be copied, sold, or redistributed in any form without written permission of Andon Electronics Corporation. Copyrights and trademarks are property of their respective companies. We reserve the right to change specifications without notice. Andon makes no warranty, expressed or implied, as to the suitability of the sockets for the intended purpose.

"ANDON PROPRIETARY INFORMATION"
RoHS Compliant

*Sockets are not drawn to scale VIGO SYSTEMS S.A. 4/6/2015