

DYNAMENT LIMITED						
Dynament Limited Model Number	Andon Part Number Replace "XXX" with Terminal Type	Terminal Type		Pin Ø [in]	Figure Number	Page Number
		Thru-Hole	Surface Mount			
TDS0003	R450-SP07-01N-XXX-R27-L14	436P55	440P55	.060	1	1
TDS0004	R450-SP07-01N-XXX-R27-L14	436P55	440P55	.060	1	1
TDS0024	R450-SP07-01N-XXX-R27-L14	436P55	440P55	.060	1	1
TDS0031	R450-SP07-01N-XXX-R27-L14	436P55	440P55	.060	1	1
TDS5001	R450-SP07-01N-XXX-R27-L14	436P55	440P55	.060	1	1
TDS5002	R450-SP07-01N-XXX-R27-L14	436P55	440P55	.060	1	1
TDS0034	R200-SP05-02T-XXX-R27-L14	436P55	440P55	.060	2	1
TDS0035	R200-SP05-02T-XXX-R27-L14	436P55	440P55	.060	2	1
TDS0036	R200-SP05-02T-XXX-R27-L14	436P55	440P55	.060	2	1
TDS0037	R200-SP05-02T-XXX-R27-L14	436P55	440P55	.060	2	1
TDS0048	R200-SP05-02T-XXX-R27-L14	436P55	440P55	.060	2	1
TDS0054	R200-SP05-02T-XXX-R27-L14	436P55	440P55	.060	2	1
TDS0055	R200-SP05-02T-XXX-R27-L14	436P55	440P55	.060	2	1
TDS0057	R200-SP05-02T-XXX-R27-L14	436P55	440P55	.060	2	1
TDS0058	R200-SP05-02T-XXX-R27-L14	436P55	440P55	.060	2	1

Fig. 1

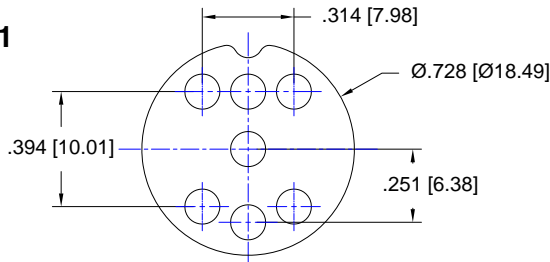
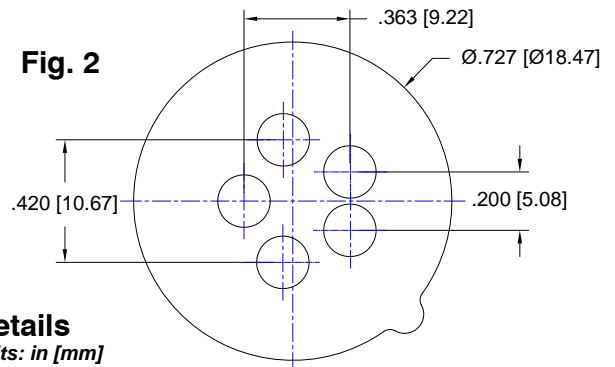
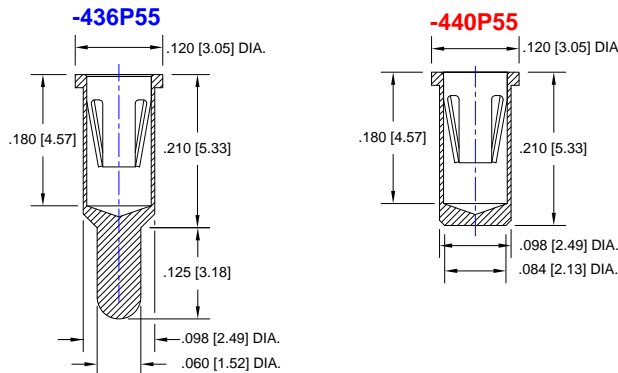


Fig. 2



Socket Terminal Details
Cross Section View Shown Units: in [mm]



Technical Information

Material:

Insulator: Hi-Temp UL 94V-O
Terminal: Brass, per ASTM-B16
Contact: BeCu, Per ASTM-B194

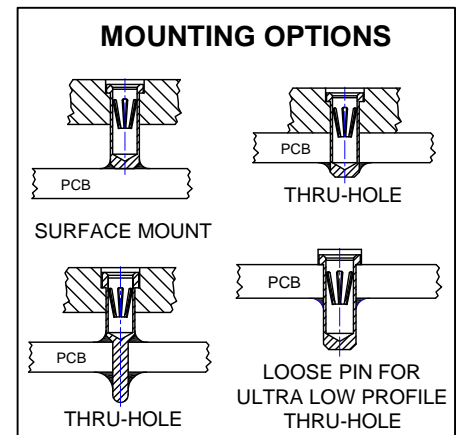
Plating: RoHS COMPLIANT

R27 TERMINAL: GOLD / CONTACT: GOLD

R17 TERMINAL: TIN / CONTACT: GOLD

OTHER PLATINGS AVAILABLE

Terminal Acceptance and Forces							
Thru Hole Terminals				Surface Mount Terminals			
Thru Hole Terminal	Accepts Pin Diameter	Insertion Force	Withdrawal Force	Surface Mount Terminal	Accepts Pin Diameter	Insertion Force	Withdrawal Force
-440P55	Ø.060 [Ø1.52]	15.5 oz Avg.	2.1 oz Min	-440P55	Ø.060 [Ø1.52]	15.5 oz Avg.	2.1 oz Min



"ANDON PROPRIETARY INFORMATION"

RoHS Compliant

*Sockets are not drawn to scale DYNAMENT LIMITED 12/11/2014