

WUHAN CUBIC OPTOELECTRONICS CO., LTD						
WUHAN OPTOELECTRONICS CO., LTD Model Number	Andon Part Number Replace "XXX" with Terminal Type	Terminal Type		Pin Ø [in]	Figure Number	Page Number
		Thru-Hole	Surface Mount			
SJH SERIES	R447-0805-01N-XXX-R27-L14	433E	285E	.040	1	1
SRH SERIES	R447-0805-01N-XXX-R27-L14	433E	285E	.040	1	1

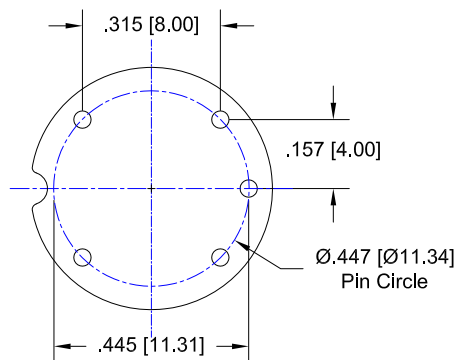
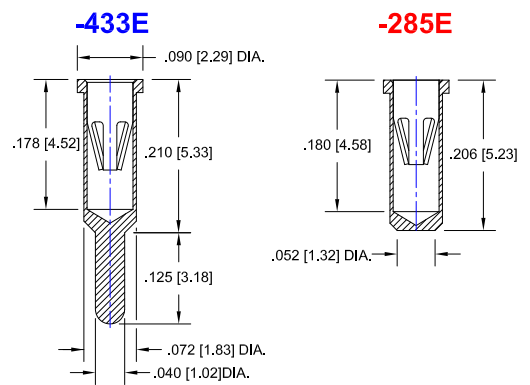


FIG: 01
Thru-Hole: R447-0805-01N-433E-R27-L14
Surface Mount: R447-0805-01N-285E-R27-L14

Socket Terminal Details
Cross Section View Shown Units: in [mm]



Technical Information

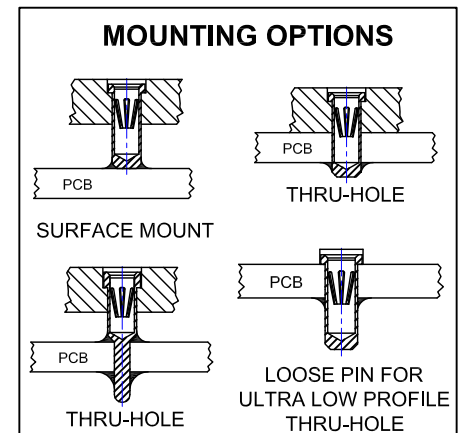
Material:

Insulator: Hi-Temp UL 94V-O
Terminal: Brass, per ASTM-B16
Contact: BeCu, Per ASTM-B194

Plating: RoHS COMPLIANT

R27 TERMINAL: GOLD / CONTACT: GOLD
R17 TERMINAL: TIN / CONTACT: GOLD
OTHER PLATINGS AVAILABLE

Terminal Acceptance and Forces							
Thru Hole Terminals				Surface Mount Terminals			
Thru Hole Terminal	Accepts Pin Diameter	Insertion Force	Withdrawal Force	Surface Mount Terminal	Accepts Pin Diameter	Insertion Force	Withdrawal Force
-433E	Ø.040 [Ø1.02]	36.0 oz Avg.	3.9 oz Min	-285E	Ø.040 [Ø1.02]	36.0 oz Avg.	3.9 oz Min



"ANDON PROPRIETARY INFORMATION"
RoHS Compliant

©Copyright 2015 Andon Electronics Corporation. All Rights Reserved. This material is protected under US and other copyrights and may not be copied, sold, or redistributed in any form without written permission of Andon Electronics Corporation. Copyrights and trademarks are property of their respective companies. We reserve the right to change specifications without notice. Andon makes no warranty, expressed or implied, as to the suitability of the sockets for the intended purpose.

*Sockets are not drawn to scale WUHAN CUBIC OPTOELECTRONICS CO.,LTD 03/13/2015