

INFRARED ASSOCIATES, INC.						
INFRARED ASSOCIATES, INC. Model Number	Andon Part Number Replace "XXX" with Terminal Type	Terminal Type		Pin Ø [in]	Figure Number	Page Number
		Thru-Hole	Surface Mount			
DETECTOR ASSEMBLY TO-3	F500-SP09-01-XXX-R27-L14	01S	93S	.018	1	1
TO-66 P.C DETECTOR	F425-1009-01-XXX-R27-L14	295V	439V	.030	2	1
TO-8 ROOM TEMPERATURE DETECTOR	R375-SP06-03T-XXX-R27-L14	75S	384S	.018	3	1

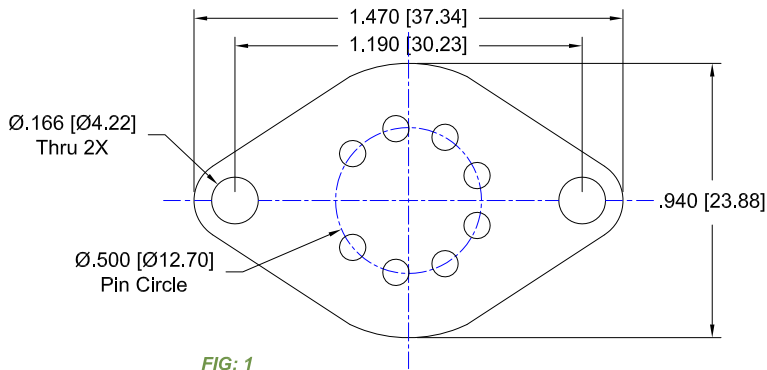


FIG: 1
Thru-Hole: F500-SP09-01-01S-R27-L14
Surface Mount: F500-SP09-01-93S-R27-L14

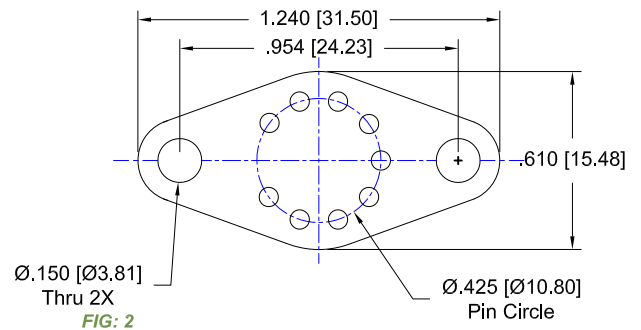


FIG: 2
Thru-Hole: F425-1009-01-295V-R27-L14
Surface Mount: F425-1009-01-439V-R27-L14

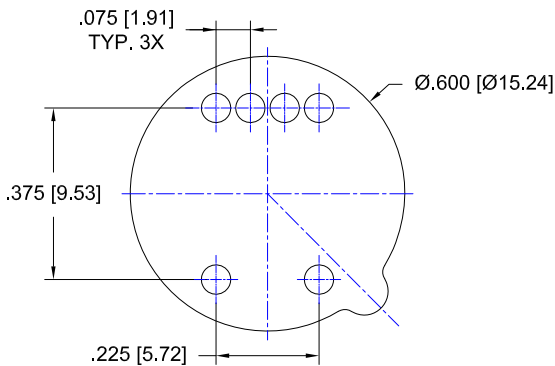
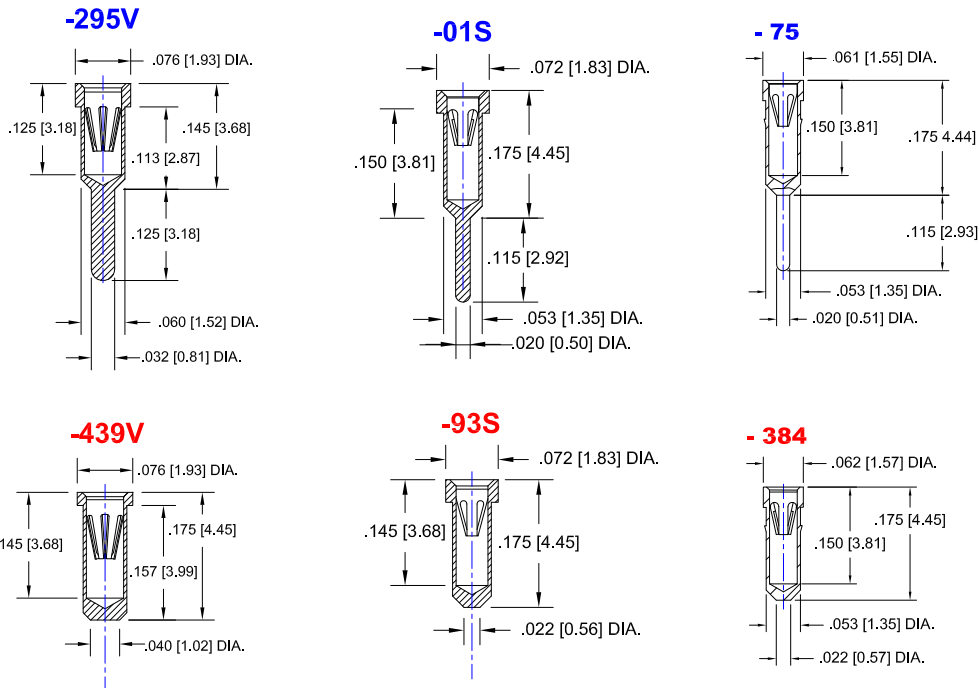


FIG: 3
Thru-Hole: R375-SP06-03T-75S-R27-L14
Surface Mount: R375-SP06-03T-384S-R27-L14

INFRARED ASSOCIATES, INC. *Continued*

Socket Terminal Details

Cross Section View Shown Units: in [mm]



Technical Information

Material:

Insulator: Hi-Temp UL 94V-O
 Terminal: Brass, per ASTM-B16
 Contact: BeCu, Per ASTM-B194

Plating: RoHS COMPLIANT

R15 TERMINAL: GOLD / CONTACT: GOLD

R17 TERMINAL: TIN / CONTACT: GOLD

OTHER PLATINGS AVAILABLE

Terminal Acceptance and Forces

Thru Hole Terminals				Surface Mount Terminals			
Thru Hole Terminal	Accepts Pin Diameter	Insertion Force	Withdrawal Force	Surface Mount Terminal	Accepts Pin Diameter	Insertion Force	Withdrawal Force
-01S	Ø.018 [Ø0.46]	9.0 oz Avg.	2.0 oz Min	-93S	Ø.018 [Ø0.46]	9.0 oz Avg.	2.0 oz Min
-295V	Ø.030 [Ø0.76]	13.2 oz Avg.	3.5 oz Min	-439V	Ø.030 [Ø0.76]	13.2 oz Avg.	3.5 oz Min
-75S	Ø.018 [Ø0.46]	9.0 oz Avg.	2.0 oz Min	-384S	Ø.018 [Ø0.46]	9.0 oz Avg.	2.0 oz Min

MOUNTING OPTIONS

