

UAB BROLIS SEMICONDUCTORS						
UAB BROLIS SEMICONDUCTORS Model Number	Andon Part Number Replace "XXX" with Terminal Type	Terminal Type		Pin Ø [in]	Figure Number	Page Number
		Thru-Hole	Surface Mount			
FL21000079CM-W4-160MW	R100-0403-04N-XXX-R27-L14	211S	265S	.018	1	1
FL21000079CM-W4-100MW	R100-0403-04N-XXX-R27-L14	211S	265S	.018	1	1
FL21000079CM-W5-60MW	R100-0403-04N-XXX-R27-L14	211S	265S	.018	1	1

### Socket Terminal Details

Cross Section View Shown Units: in [mm]

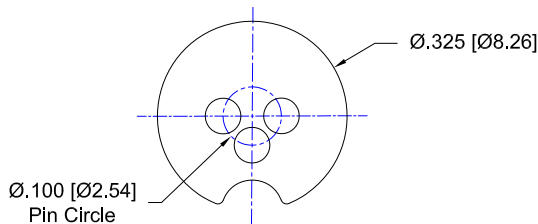
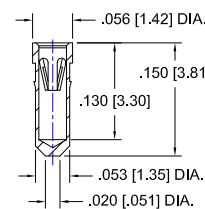


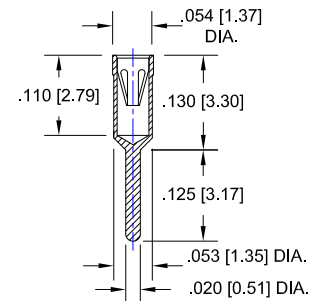
FIG: 01

Thru-Hole: R100-0403-04N-211S-R27-L14  
Surface Mount: R100-0403-04N-265S-R27-L14

#### - 265S



#### -211S



## Technical Information

### Material:

Insulator: Hi-Temp UL 94V-O  
Terminal: Brass, per ASTM-B16  
Contact: BeCu, Per ASTM-B194

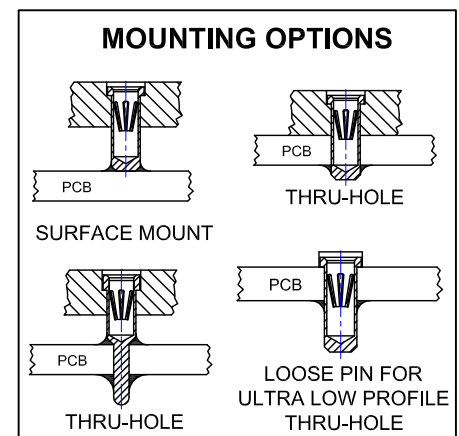
### Plating: RoHS COMPLIANT

R15 TERMINAL: GOLD / CONTACT: GOLD

R17 TERMINAL: TIN / CONTACT: GOLD

OTHER PLATINGS AVAILABLE

Terminal Acceptance and Forces							
Thru Hole Terminals				Surface Mount Terminals			
Thru Hole Terminal	Accepts Pin Diameter	Insertion Force	Withdrawal Force	Surface Mount Terminal	Accepts Pin Diameter	Insertion Force	Withdrawal Force
-211S	Ø.018 [Ø0.46]	9.0 oz Avg.	2.0 oz Min	-265S	Ø.018 [Ø0.46]	9.0 oz Avg.	2.0 oz Min



©Copyright 2015 Andon Electronics Corporation. All Rights Reserved. This material is protected under US and other copyrights and may not be copied, sold, or redistributed in any form without written permission of Andon Electronics Corporation. Copyrights and trademarks are property of their respective companies. We reserve the right to change specifications without notice. Andon makes no warranty, expressed or implied, as to the suitability of the sockets for the intended purpose.

"ANDON PROPRIETARY INFORMATION"

RoHS Compliant

\*Sockets are not drawn to scale UAB BROLIS SEMICONDUCTORS 4/1/2015