

COOPER BUSSMANN						
COOPER BUSSMANN Model Number	Andon Part Number Replace "XXX" with Terminal Type	Terminal Type		Pin Ø [in]	Figure Number	Page Number
		Thru-Hole	Surface Mount			
SS-5 SERIES	C10-003-02-01-XXX-R27-L14	01P28	93P28	.018	1	1
SS-5F SERIES	C10-003-02-01-XXX-R27-L14	01P28	93P28	.018	1	1
SR-5 SERIES	R200-0402-03T-XXX-R27-L14	01P28	93P28	.018	3	1
SR-5F SERIES	R200-0402-03T-XXX-R27-L14	01P28	93P28	.018	3	1
SR-5H SERIES	R200-0402-03T-XXX-R27-L14	01P28	93P28	.018	3	1
PCB, PCD	C10-003-02-01-XXX-R27-L14	01P28	93P28	.018	1	1
PCH, PCI	C10-003-02-01-XXX-R27-L14	01P28	93P28	.018	1	1
PCF, PCG	C10-005-02-01-XXX-R27-L14	01P28	93P28	.018	2	1
BK/PCS	C10-003-02-01-XXX-R27-L14	400T4	414T4	.012	4	1
PCC/PCE	C10-003-02-01-XXX-R27-L14	400T4	414T4	.012	4	1

Heat sink socket available to reduce heat and noise. Contact Andon for details.

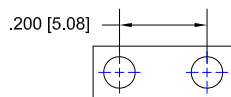


FIG: 1

Thru-Hole: C10-003-02-01-01P28-R27-L14
Surface Mount: C10-003-02-01-93P28-R27-L14

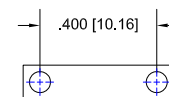


FIG: 2

Thru-Hole: C10-005-02-01-01P28-R27-L14
Surface Mount: C10-005-02-01-93P28-R27-L14

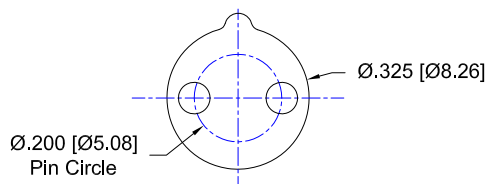


FIG: 3

Thru-Hole: R200-0402-03T-01P28-R27-L14
Surface Mount: R200-0402-03T-93P28-R27-L14

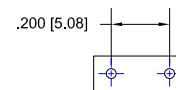


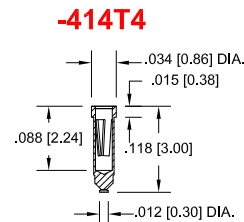
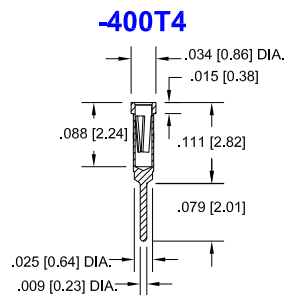
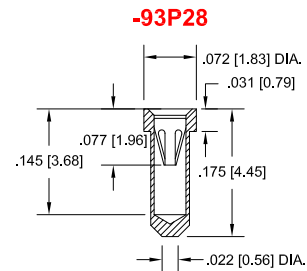
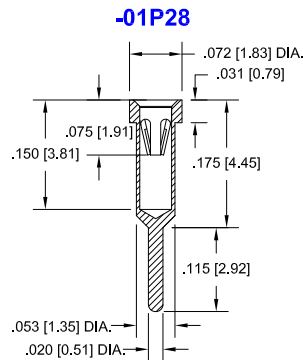
FIG: 4

Thru-Hole: C10-003-02-01-400T4-R27-L14
Surface Mount: C10-003-02-01-414T4-R27-L14

COOPER BUSSMANN *Continued*

Top View Shown

Units: in [mm]



Material:

Insulator: Hi-Temp UL 94V-O
Terminal: Brass, per ASTM-B16
Contact: BeCu, Per ASTM-B194

Plating: RoHS COMPLIANT

R15 TERMINAL: GOLD / CONTACT: GOLD

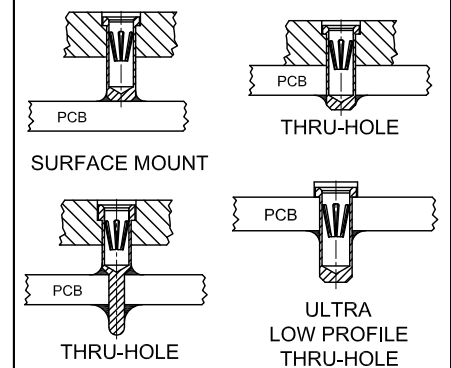
R17 TERMINAL: TIN / CONTACT: GOLD

OTHER PLATINGS AVAILABLE

Terminal Acceptance and Forces

Thru Hole Terminals				Surface Mount Terminals			
Thru Hole Terminal	Accepts Pin Diameter	Insertion Force	Withdrawal Force	Surface Mount Terminal	Accepts Pin Diameter	Insertion Force	Withdrawal Force
-400T4	Ø.012 [Ø0.30]	1.1 oz Avg.	0.3 oz Min	-414T4	Ø.012 [Ø0.30]	1.1 oz Avg.	0.3 oz Min
-01P28	Ø.018 [Ø0.46]	7.0 oz Avg.	5.6 oz Min	-93P28	Ø.018 [Ø0.46]	7.0 oz Avg.	5.6 oz Min

MOUNTING OPTIONS



©Copyright 2015 Andon Electronics Corporation. All Rights Reserved. This material is protected under US and other copyrights and may not be copied, sold, or redistributed in any form without written permission of Andon Electronics Corporation. Copyrights and trademarks are property of their respective companies. We reserve the right to change specifications without notice. Andon makes no warranty, expressed or implied, as to the suitability of the sockets for the intended purpose.

"ANDON PROPRIETARY INFORMATION"

RoHS Compliant

*Sockets are not drawn to scale COOPER BUSSMANN 5/27/2015