

| ABRACON CORPORATION | | | | | | |
|-------------------------------------|---|---------------|------------------|---------------|------------------|----------------|
| ABRACON CORPORATION Model Number | Andon Part Number Replace "XXX" with Terminal Type | Terminal Type | | Pin Ø [in] | Figure Number | Page Number |
| | | Thru-Hole | Surface Mount | | | |
| AOCJY1 SERIES | C10-314-04-01-XXX-R27-L14 | 01S | 93S | .018 | 2 | 1 |
| ACVX1220 | C10-314-04-01-XXX-R27-L14 | 01S | 93S | .018 | 2 | 1 |
| ACO | C10-314-04-01-XXX-R27-L14 | 01S | 93S | .018 | 2 | 1 |
| ACOL SERIES | C10-314-04-01-XXX-R27-L14 | 01S | 93S | .018 | 2 | 1 |
| ACOL1 SERIES | C10-314-04-01-XXX-R27-L14 | 01S | 93S | .018 | 2 | 1 |
| ACT SERIES | C10-314-04-01-XXX-R27-L14 | 01S | 93S | .018 | 2 | 1 |
| ACVX1220L | C10-314-04-01-XXX-R27-L14 | 01S | 93S | .018 | 2 | 1 |
| ACVX1222 | C10-314-04-01-XXX-R27-L14 | 01S | 93S | .018 | 2 | 1 |
| AB | CSP192-02-01-XXX-R27-L14 | 01S | 93S | .018 | 6 | 2 |
| ABL SERIES | CSP192-02-01-XXX-R27-L14 | 01S | 93S | .018 | 6 | 2 |
| ABL2 SERIES | CSP192-02-01-XXX-R27-L14 | 01S | 93S | .018 | 6 | 2 |
| AFS446.0W02.TD01 | C10-004-04-01-XXX-R27-L14 | 01S | 93S | .018 | 5 | 2 |
| AFS110.592W01.TD01 | C10-004-04-01-XXX-R27-L14 | 01S | 93S | .018 | 5 | 2 |
| AFS446.0W02.TD01 | C10-004-04-01-XXX-R27-L14 | 01S | 93S | .018 | 5 | 2 |
| AFS110.592W01.TD01 | C10-004-04-01-XXX-R27-L14 | 01S | 93S | .018 | 5 | 2 |
| ACPEL | C10-314-04-01-XXX-R27-L14 | 01S | 93S | .018 | 2 | 1 |
| ACOW | C10-314-04-01-XXX-R27-L14 | 01S | 93S | .018 | 2 | 1 |
| ACOS | C10-314-04-01-XXX-R27-L14 | 01S | 93S | .018 | 2 | 1 |
| ACH SERIES | C10-308-04-03-XXX-R27-L14 | 01S | 93S | .018 | 3 | 2 |
| ACHL SERIES | C10-308-04-03-XXX-R27-L14 | 01S | 93S | .018 | 3 | 2 |
| ACHL1 SERIES | C10-308-04-03-XXX-R27-L14 | 01S | 93S | .018 | 3 | 2 |
| AOCJY7 SERIES | C10-7524-05-01-XXX-R27-L14 | 295V | 439V | .030 | 4 | 2 |
| AOCJY4 SERIES | C10-1014-05-02-XXX-R27-L14 | 295V | 439V | .030 | 1 | 1 |
| AOCJY5 SERIES | C10-1014-05-02-XXX-R27-L14 | 295V | 439V | .030 | 1 | 1 |
| AOCJY6 SERIES | CSP1260-05-02-XXX-R27-L14 | 433E | 285E | .040 | 7 | 2 |
| ACVX1240 | C10-314-04-01-XXX-R27-L14 | 01S | 93S | .018 | 2 | 1 |
| AOCJY2 SERIES | C10-314-04-01-XXX-R27-L14 | 01S | 93S | .018 | 2 | 1 |

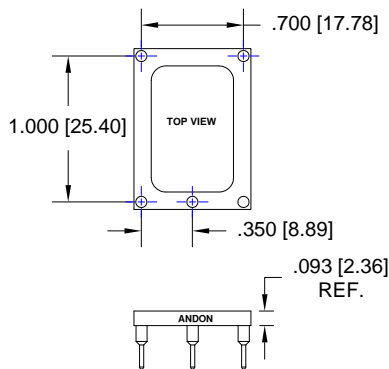


Fig. 1

Thru-Hole: C10-1014-05-02-295V-R27-L14
Surface Mount: C10-1014-05-02-439V-R27-L14

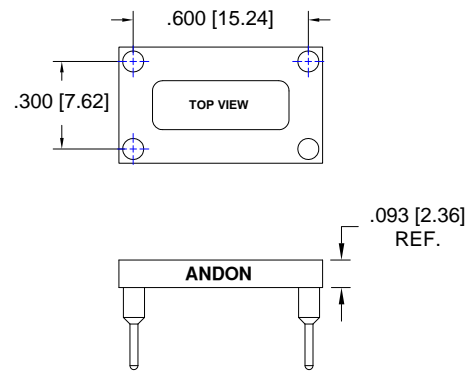


Fig. 2

Thru-Hole: C10-314-01-295V-R27-L14
Surface Mount: C10-314-01-439V-R27-L14

ABRACON CORPORATION *Continued*

Socket Terminal Details
Cross Section View Shown Units: in [mm]

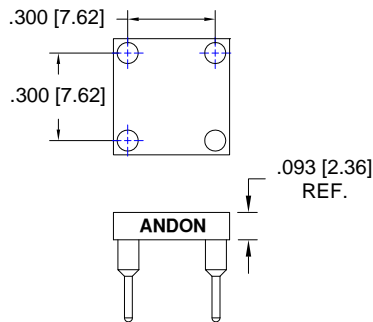


Fig. 3
Thru-Hole: C10-308-04-02-01S-R27-L14
Surface Mount: C10-308-04-02-93S-R27-L14

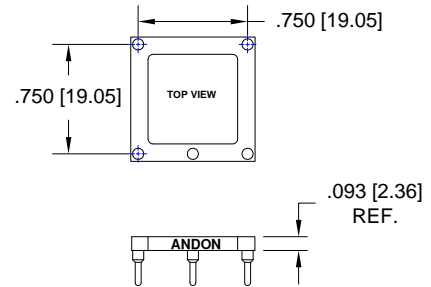


Fig. 4
Thru-Hole: C10-7524-05-01-295V-R27-L14
Surface Mount: C10-7524-05-01-439V-R27-L14

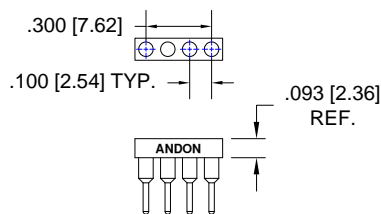


Fig. 5
Thru-Hole: C10-004-04-01-01S-R27-L14
Surface Mount: C10-004-04-01-93S-R27-L14

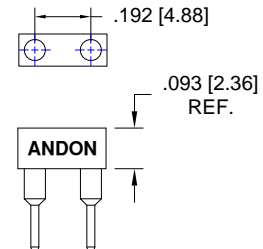


Fig. 6
Thru-Hole: CSP192-02-01-01S-R27-L14
Surface Mount: CSP192-02-01-93S-R27-L14

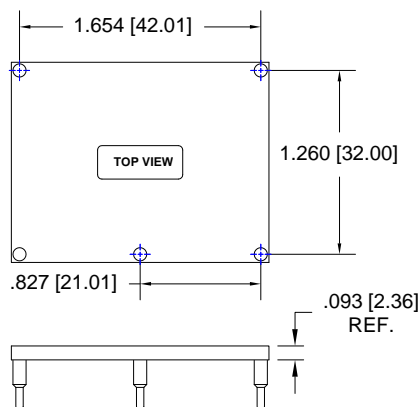
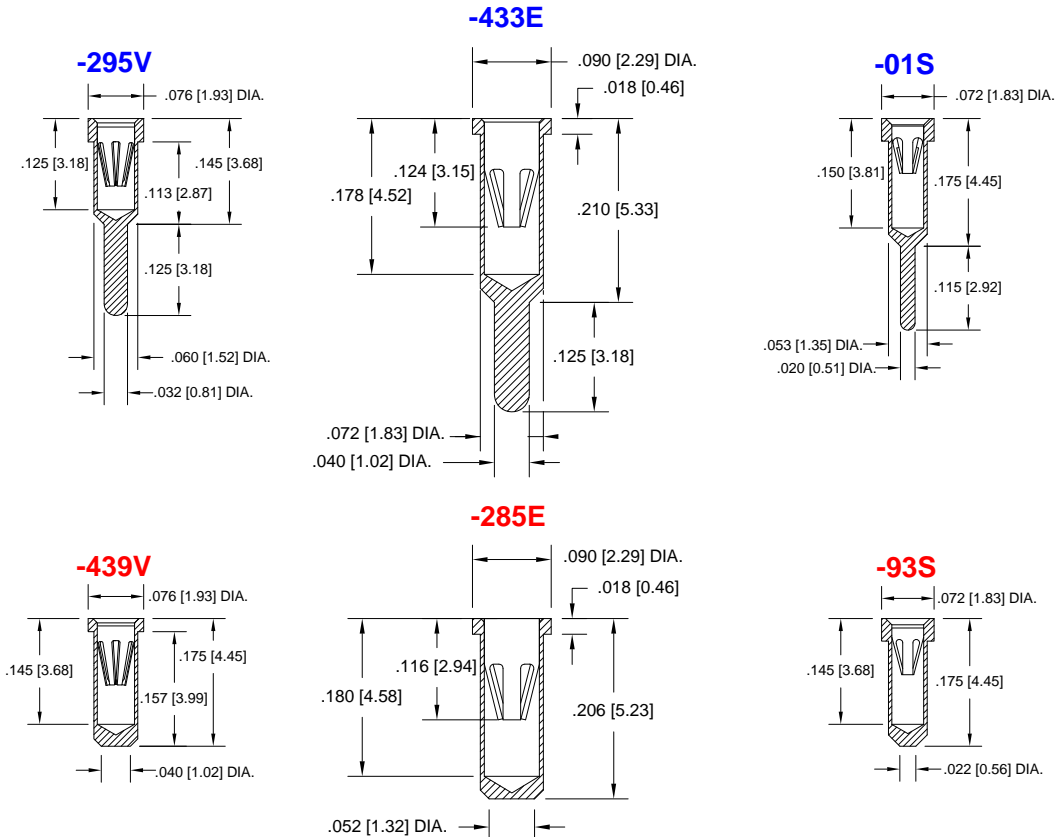


Fig. 7
Thru-Hole: CSP1260-05-02-433E-R27-L14
Surface Mount: CSP1260-05-02-285E-R27-L14

ABRACON CORPORATION *Continued*

Socket Terminal Details Cross Section View Shown Units: in [mm]



Technical Information

Material:

Insulator: Hi-Temp UL 94V-O
 Terminal: Brass, per ASTM-B16
 Contact: BeCu, Per ASTM-B194

Plating: RoHS COMPLIANT

R15 TERMINAL: GOLD / CONTACT: GOLD

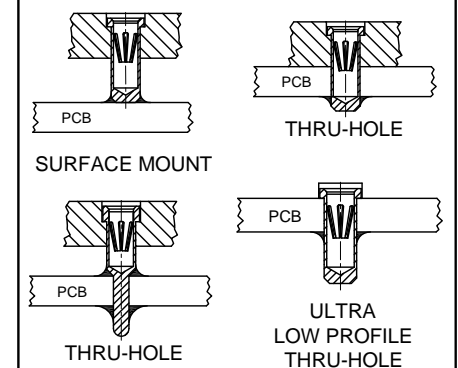
R17 TERMINAL: TIN / CONTACT: GOLD

OTHER PLATINGS AVAILABLE

Terminal Acceptance and Forces

| Thru Hole Terminals | | | | Surface Mount Terminals | | | |
|---------------------|----------------------|-----------------|------------------|-------------------------|----------------------|-----------------|------------------|
| Thru Hole Terminal | Accepts Pin Diameter | Insertion Force | Withdrawal Force | Surface Mount Terminal | Accepts Pin Diameter | Insertion Force | Withdrawal Force |
| -01S | Ø.018 [Ø0.46] | 9.0 oz Avg. | 2.0 oz Min | -93S | Ø.018 [Ø0.46] | 9.0 oz Avg. | 2.0 oz Min |
| -433E | Ø.040 [Ø1.02] | 36.0 oz Avg. | 3.9 oz Min | -285E | Ø.040 [Ø1.02] | 36.0 oz Avg. | 3.9 oz Min |
| -295V | Ø.030 [Ø0.76] | 13.2 oz Avg. | 3.5 oz Min | -439V | Ø.030 [Ø0.76] | 13.2 oz Avg. | 3.5 oz Min |

MOUNTING OPTIONS



©Copyright 2014 Andon Electronics Corporation. All Rights Reserved. This material is protected under US and other copyrights and may not be copied, sold, or redistributed in any form without written permission of Andon Electronics Corporation. Copyrights and trademarks are property of their respective companies. We reserve the right to change specifications without notice. Andon makes no warranty, expressed or implied, as to the suitability of the sockets for the intended purpose.

"ANDON PROPRIETARY INFORMATION"
RoHS Compliant

*Sockets are not drawn to scale ABRACON CORPORATION 10/30/2014