

MtronPTI						
MtronPTI Model Number	Andon Part Number Replace "XXX" with Terminal Type	Terminal Type		Pin Ø [in]	Figure Number	Page Number
		Thru-Hole	Surface Mount			
UM-1	CSP148-02-02-XXX-R27-L14	01S	93S	.018	1	1
UM-5	CSP148-02-02-XXX-R27-L14	01S	93S	.018	1	1
HC-5010	CSP192-02-02-XXX-R27-L14	433E	285E	.040	3	1
HC-51/U	C486-002-02-01-XXX-R27-L14	295V	439V	.030	2	1
ATS-49	CSP192-02-01-XXX-R27-L14	01S	93S	.018	4	1
ATS-49-R	CSP192-02-01-XXX-R27-L14	01S	93S	.018	4	1
HC-48/U	C486-002-02-02-XXX-R27-L14	436P55	440P55	.060	5	1
HC-49/U	CSP192-02-01-XXX-R27-L14	01S	93S	.018	4	1
PM SERIES	605D-04C-SM-G10-L14-X	-	-	-	6	2
MP-1-R	CSP192-02-01-XXX-R27-L14	01S	93S	.018	4	1

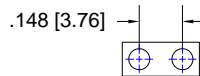


Fig. 1

Thru-Hole: CSP148-02-02-01S-R27-L14
Surface Mount: CSP148-02-02-93S-R27-L14

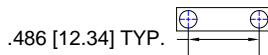


Fig. 2

Thru-Hole: C486-002-02-01-295V-R27-L14
Surface Mount: C486-002-02-01-439V-R27-L14

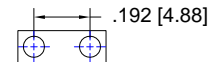


Fig. 3

Thru-Hole: CSP192-02-02-433E-R27-L14
Surface Mount: CSP192-02-02-285E-R27-L14

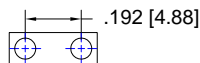


Fig. 4

Thru-Hole: CSP192-02-01-01S-R27-L14
Surface Mount: CSP192-02-01-93S-R27-L14

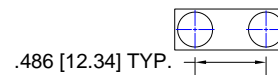


Fig. 5

Thru-Hole: C486-002-02-02-436P55-R27-L14
Surface Mount: C486-002-02-02-440P55-R27-L14

MtronPTI Continued

Socket Terminal Details

Cross Section View Shown Units: in [mm]

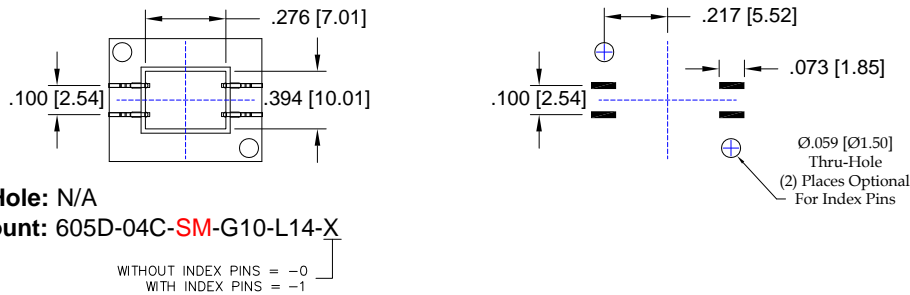


Fig. 6

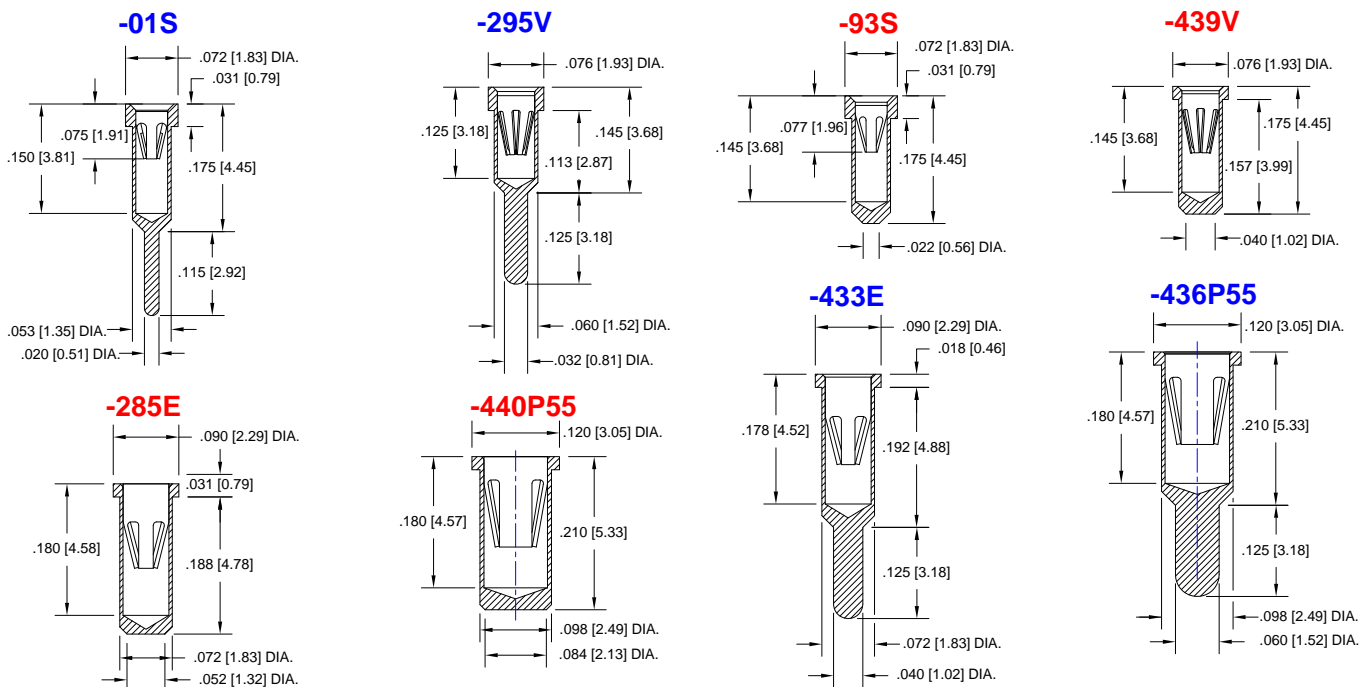
Thru-Hole: N/A

Surface Mount: 605D-04C-SM-G10-L14-X

WITHOUT INDEX PINS = -0
WITH INDEX PINS = -1

Socket Terminal Details

Cross Section View Shown Units: in [mm]



Technical Information

Material:

Insulator: Hi-Temp UL 94V-O
Terminal: Brass, per ASTM-B16
Contact: BeCu, Per ASTM-B194

Plating: RoHS COMPLIANT

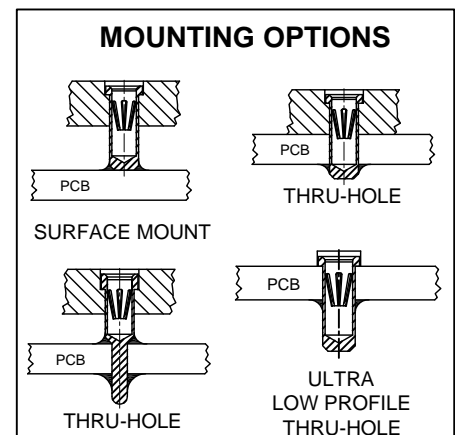
R15 TERMINAL: GOLD / CONTACT: GOLD

R17 TERMINAL: TIN / CONTACT: GOLD

OTHER PLATINGS AVAILABLE

Terminal Acceptance and Forces

Thru Hole Terminals				Surface Mount Terminals			
Thru Hole Terminal	Accepts Pin Diameter	Insertion Force	Withdrawal Force	Surface Mount Terminal	Accepts Pin Diameter	Insertion Force	Withdrawal Force
-01S	Ø.018 [Ø0.46]	9.0 oz Avg.	2.0 oz Min	-93S	Ø.018 [Ø0.46]	9.0 oz Avg.	2.0 oz Min
-433E	Ø.040 [Ø1.02]	36.0 oz Avg.	3.9 oz Min	-285E	Ø.040 [Ø1.02]	36.0 oz Avg.	3.9 oz Min
-295V	Ø.030 [Ø0.76]	13.2 oz Avg.	3.5 oz Min	-439V	Ø.030 [Ø0.76]	13.2 oz Avg.	3.5 oz Min
-436P55	Ø.060 [Ø1.52]	15.5 oz Avg.	2.1 oz Min	-440P55	Ø.060 [Ø1.52]	15.5 oz Avg.	2.1 oz Min



"ANDON PROPRIETARY INFORMATION"
RoHS Compliant

*Sockets are not drawn to scale Mtron PTI 12/24/2014