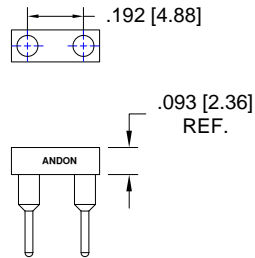


NEL FREQUENCY CONTROLS, INC.						
NEL FREQUENCY CONTROLS, INC. Model Number	Andon Part Number Replace "XXX" with Terminal Type	Terminal Type		Pin Ø [in]	Figure Number	Page Number
		Thru-Hole	Surface Mount			
OC-X87XXXX-X SERIES	C10-314-04-01-XXX-R27-L14	01S	93S	.018	10	3
O-L14XXXXY-Y-X SERIES	C10-314-04-01-XXX-R27-L14	01S	93S	.018	10	3
HS-870/880 SERIES	C10-314-04-01-XXX-R27-L14	01S	93S	.018	10	3
HS-800-810 SERIES	C10-314-04-01-XXX-R27-L14	01S	93S	.018	10	3
HS-160 SERIES	C10-314-04-01-XXX-R27-L14	01S	93S	.018	10	3
HS-370 SERIES	C10-314-04-01-XXX-R27-L14	01S	93S	.018	10	3
HS-A2920 SERIES	C10-314-04-01-XXX-R27-L14	01S	93S	.018	10	3
HSA870 SERIES	C10-314-04-01-XXX-R27-L14	01S	93S	.018	10	3
HS-2870 SERIES	C10-314-04-01-XXX-R27-L14	01S	93S	.018	10	3
HS-2800/2810 SERIES	C10-314-04-01-XXX-R27-L14	01S	93S	.018	10	3
HS-820/830 SERIES	C10-314-04-01-XXX-R27-L14	01S	93S	.018	10	3
HS-460 SERIES	C10-314-04-01-XXX-R27-L14	01S	93S	.018	10	3
HS-370 SERIES	C10-314-04-01-XXX-R27-L14	01S	93S	.018	10	3
HS-1370/1380 SERIES	C10-314-04-01-XXX-R27-L14	01S	93S	.018	10	3
HS-A1440 SERIES	C10-314-04-01-XXX-R27-L14	01S	93S	.018	10	3
HS-1450 SERIES	C10-314-04-01-XXX-R27-L14	01S	93S	.018	10	3
HS-169	C10-314-04-01-XXX-R27-L14	01S	93S	.018	10	3
HS-160 SERIES	C10-314-04-01-XXX-R27-L14	01S	93S	.018	10	3
HA-160 SERIES	C10-308-04-02-XXX-R27-L14	01S	93S	.018	12	3
HA-A870 SERIES	C10-308-04-02-XXX-R27-L14	01S	93S	.018	12	3
HA-A2870 SERIES	C10-308-04-02-XXX-R27-L14	01S	93S	.018	12	3
HA-2870 SERIES	C10-308-04-02-XXX-R27-L14	01S	93S	.018	12	3
HA-370 SERIES	C10-308-04-02-XXX-R27-L14	01S	93S	.018	12	3
HA-160 SERIES	C10-308-04-02-XXX-R27-L14	01S	93S	.018	12	3
HC-49SS	CSP192-02-01-XXX-R27-L14	01S	93S	.018	1	2
HC-49SS	CSP192-02-01-XXX-R27-L14	01S	93S	.018	1	2
HC-49U	CSP192-02-01-XXX-R27-L14	01S	93S	.018	1	2
UM-5	CSP148-02-01-XXX-R27-L14	400T4	414T4	.012	5	2
UM-1	CSP148-02-01-XXX-R27-L14	400T4	414T4	.012	5	2
HK-29B0 SERIES	C10-316-08-01-XXX-R27-L14	01S	93S	.018	7	3
O-CIH-XXXXXXXX-X	C10-7524-05-01-XXX-R27-L14	295V	439V	.030	3	2
OE-XBFXXX-X SERIES	C10-1014-05-02-XXX-R27-L14	295V	439V	.030	9	3
OM-X8GXXXX-X SERIES	C10-1014-05-02-XXX-R27-L14	295V	439V	.030	9	3
OG-X8PXXXX-X	C10-1014-05-02-XXX-R27-L14	295V	439V	.030	9	3
O-CEHXXXXY-Y-X-XX-X	C10-1014-05-02-XXX-R27-L14	295V	439V	.030	9	3
O-CEGM-0XXXXXX-X	C10-1014-05-02-XXX-R27-L14	295V	439V	.030	9	3
O-CE8-XXYZXX-X-V-XX-X	C10-1014-05-02-XXX-R27-L14	295V	439V	.030	9	3
O-CEM-XXYZXX-X-X-XX-X	C10-1014-05-02-XXX-R27-L14	295V	439V	.030	9	3
O-CEX-XXXXXXXX-X	C10-1014-05-02-XXX-R27-L14	295V	439V	.030	9	3
OE-X8UXYZXX-X-R	C10-1014-05-02-XXX-R27-L14	295V	439V	.030	9	3
OL-X8KXXXX-R	C10-314-05-01-XXX-R27-L14	01S	93S	.018	6	2
O-CIH-XXXXXXXX-X	C10-7524-05-01-XXX-R27-L14	295V	439V	.030	3	2
O-CI5XXXXY-Y-X-XX-X	C10-7524-05-01-XXX-R27-L14	295V	439V	.030	3	2
O-LU25H-XXYZXX-X-X-X-X	C10-614-05-01-XXX-R27-L14	01S	93S	.018	11	3
O-C25XXXXY-Y-X-XX-X	C10-7524-05-01-XXX-R27-L14	01S	93S	.018	3	2
O-C25-XXXXXX-X	C10-614-05-01-XXX-R27-L14	01S	93S	.018	11	3
O-A25HXXXXY-X-X	C10-7524-05-01-XXX-R27-L14	01S	93S	.018	3	2
OD-X8UXXXX-R	C10-614-05-01-XXX-R27-L14	01S	93S	.018	11	3
O-L25HXXXXY-Y-X	C10-7524-05-01-XXX-R27-L14	01S	93S	.018	3	2
DATASHEET 1326A	C20-29514-13-01-XXX-R27-L14	01S	93S	.018	2	2
DATASHEET 1205A	C20-22514-10-01-XXX-R27-L14	433E	285E	.040	4	2
DATASHEET 1342A	C20-32522-14-01-XXX-R27-L14	433E	285E	.040	13	4
O-C24-XXXXXXXX-X	C10-314-05-01-XXX-R27-L14	01S	93S	.018	8	3
O-L24HXXXXY-Y-X	C10-314-05-01-XXX-R27-L14	01S	93S	.018	8	3
O-A24HXXXXY-Y-X	C10-314-05-01-XXX-R27-L14	01S	93S	.018	8	3

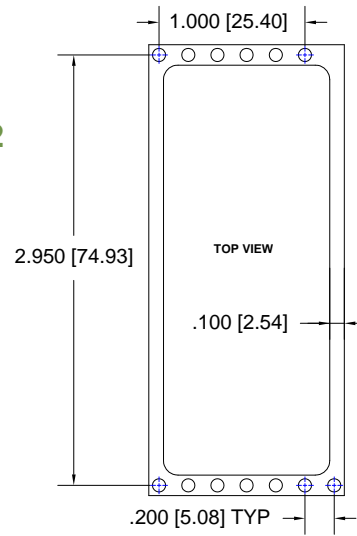
**NEL FREQUENCY CONTROLS, INC. Continued**

**Top View Shown**  
Units: in [mm]

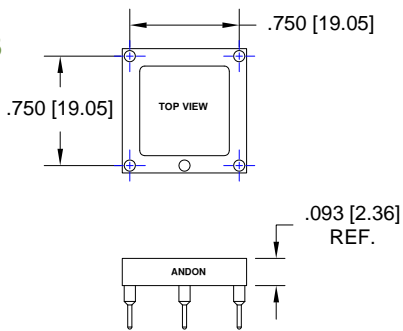
**Fig. 1**



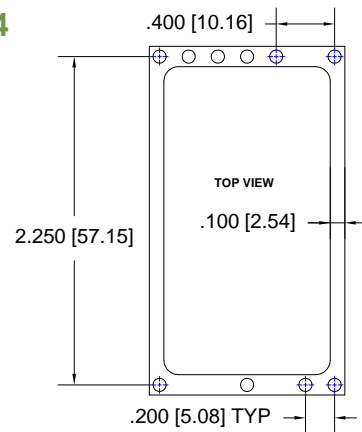
**Fig. 2**



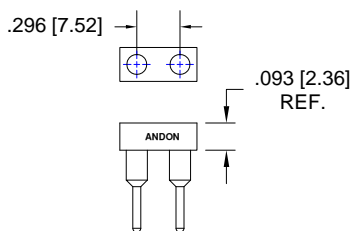
**Fig. 3**



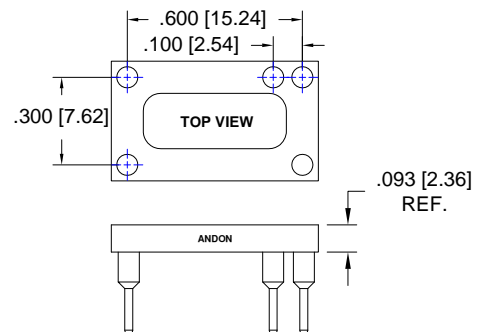
**Fig. 4**



**Fig. 5**



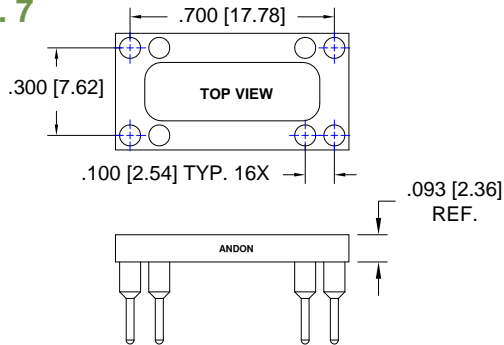
**Fig. 6**



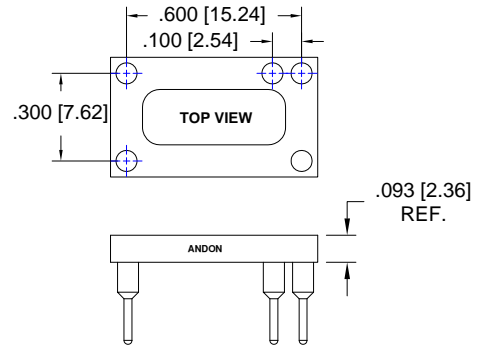
**NEL FREQUENCY CONTROLS, INC. Continued**

**Top View Shown**  
*Units: in [mm]*

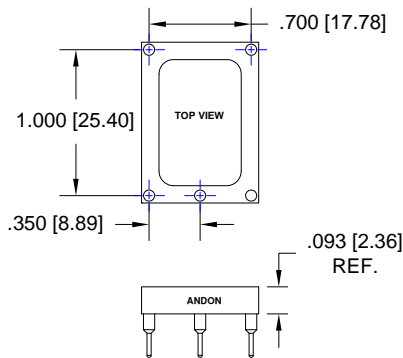
**Fig. 7**



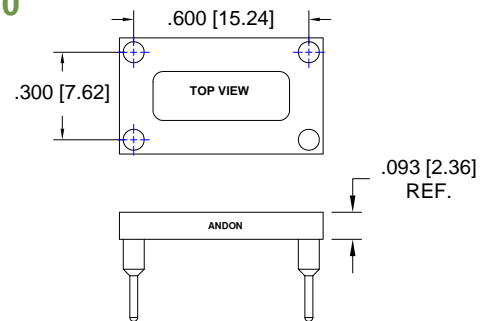
**Fig. 8**



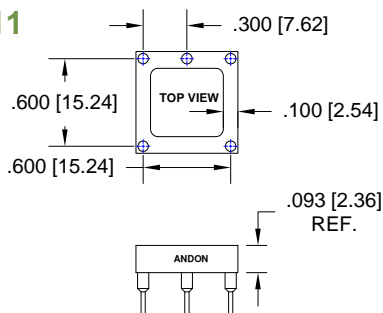
**Fig. 9**



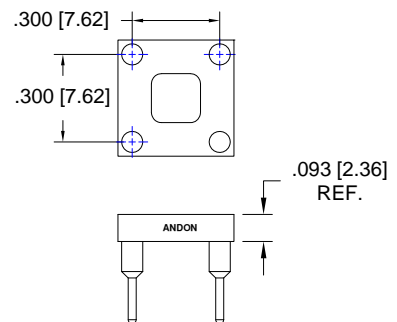
**Fig. 10**



**Fig. 11**



**Fig. 12**



**NEL FREQUENCY CONTROLS, INC. Continued**

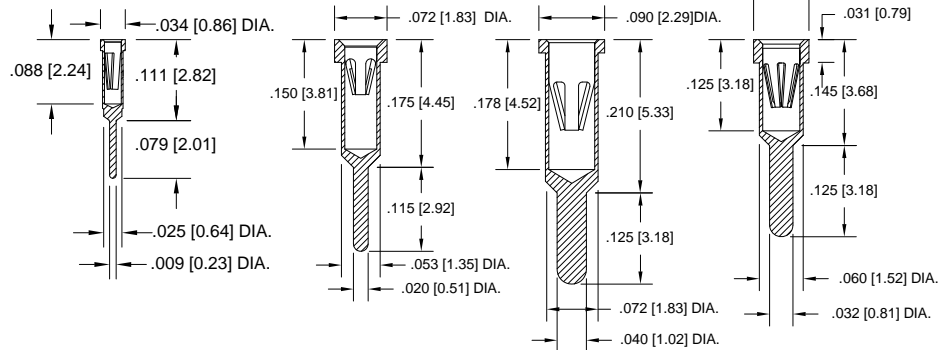
Top View Shown  
Units: in [mm]

**-400T4**

**-01S**

**-433E**

**-295V**



**-414T4**

**-93S**

**-285E**

**-439V**

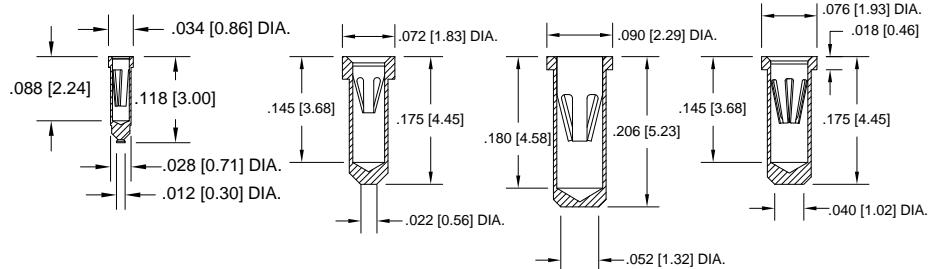
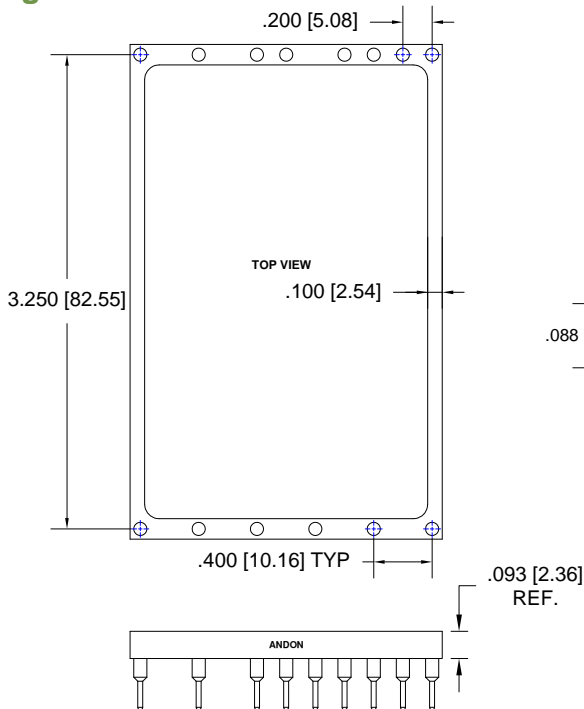


Fig. 13



**Technical Information**

**Material:**

Insulator: Hi-Temp UL 94V-O  
Terminal: Brass, per ASTM-B16  
Contact: BeCu, Per ASTM-B194

**Plating: RoHS COMPLIANT**

**R15 TERMINAL: GOLD / CONTACT: GOLD**

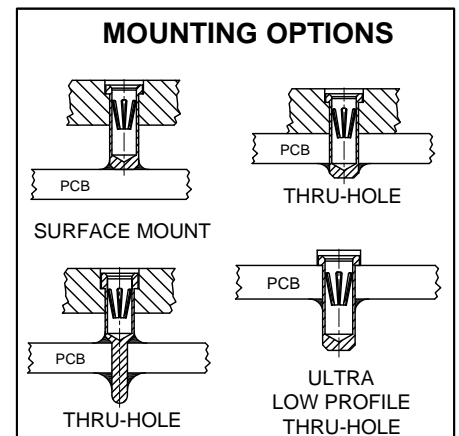
**R17 TERMINAL: TIN / CONTACT: GOLD**

**OTHER PLATINGS AVAILABLE**

**Terminal Acceptance and Forces**

Thru Hole Terminals				Surface Mount Terminals			
Thru Hole Terminal	Accepts Pin Diameter	Insertion Force	Withdrawal Force	Surface Mount Terminal	Accepts Pin Diameter	Insertion Force	Withdrawal Force
<b>-400T4</b>	Ø.012 [Ø0.30]	1.1 oz Avg.	0.3 oz Min	<b>-414T4</b>	Ø.012 [Ø0.30]	1.1 oz Avg.	0.3 oz Min
<b>-01S</b>	Ø.018 [Ø0.46]	9.0 oz Avg.	2.0 oz Min	<b>-93S</b>	Ø.018 [Ø0.46]	9.0 oz Avg.	2.0 oz Min
<b>-433E</b>	Ø.040 [Ø1.02]	36.0 oz Avg.	3.9 oz Min	<b>-285E</b>	Ø.040 [Ø1.02]	36.0 oz Avg.	3.9 oz Min
<b>-295V</b>	Ø.030 [Ø0.76]	13.2 oz Avg.	3.5 oz Min	<b>-439V</b>	Ø.030 [Ø0.76]	13.2 oz Avg.	3.5 oz Min

**MOUNTING OPTIONS**



©Copyright 2014 Andon Electronics Corporation. All Rights Reserved. This material is protected under US and other copyrights and may not be copied, sold, or redistributed in any form without written permission of Andon Electronics Corporation. Copyrights and trademarks are property of their respective companies. We reserve the right to change specifications without notice. Andon makes no warranty, expressed or implied, as to the suitability of the sockets for the intended purpose.

**"ANDON PROPRIETARY INFORMATION"**

**RoHS Compliant**

\*Sockets are not drawn to scale NEL FREQUENCY CONTROLS, INC. 11/04/2014