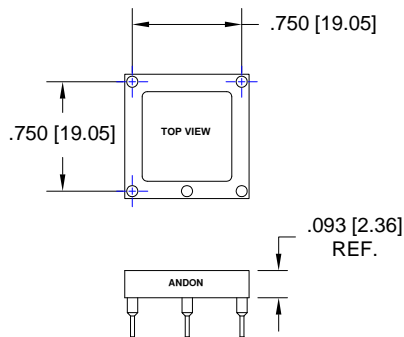


TXC CRYSTAL						
TXC CRYSTAL Model Number	Andon Part Number Replace "XXX" with Terminal Type	Terminal Type		Pin Ø [in]	Figure Number	Page Number
		Thru-Hole	Surface Mount			
9B SERIES	CSP192-02-01-XXX-R27-L14	01S	93S	.018	3	1
AS SERIES	CSP192-02-01-XXX-R27-L14	01S	93S	.018	3	1
OA SERIES	C10-608-05-02-XXX-R27-L14	01S	93S	.018	4	1
OB SERIES	C10-7524-05-01-XXX-R27-L14	295V	439V	.030	1	1
OC SERIES	C10-1014-05-02-XXX-R27-L14	295V	439V	.030	2	1

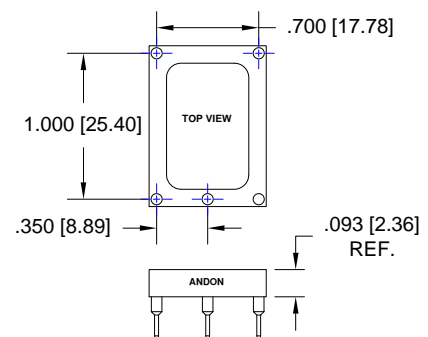
(FIG.1) TXC CRYSTAL	ANDON PART NUMBER
	THRU-HOLE: C10-7524-05-01-295V-R27-L14 SURFACE MOUNT: C10-7524-05-01-439V-R27-L14

OB SERIES



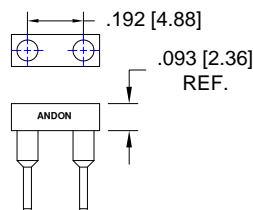
(FIG.2) TXC CRYSTAL	ANDON PART NUMBER
	THRU-HOLE: C10-1014-05-02-295V-R27-L14 SURFACE MOUNT: C10-1014-05-02-439V-R27-L14

OC SERIES



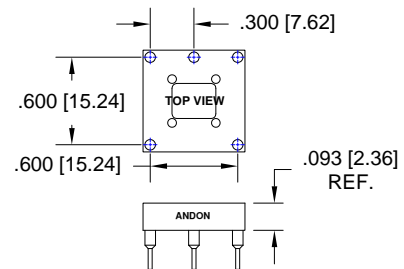
(FIG.3) TXC CRYSTAL	ANDON PART NUMBER
	THRU-HOLE: CSP192-02-01-01S-R27-L14 SURFACE MOUNT: CSP192-02-01-93S-R27-L14

9B SERIES
AS SERIES



(FIG.4) TXC CRYSTAL	ANDON PART NUMBER
	THRU-HOLE: C10-608-05-02-01S-R27-L14 SURFACE MOUNT: C10-608-05-02-93S-R27-L14

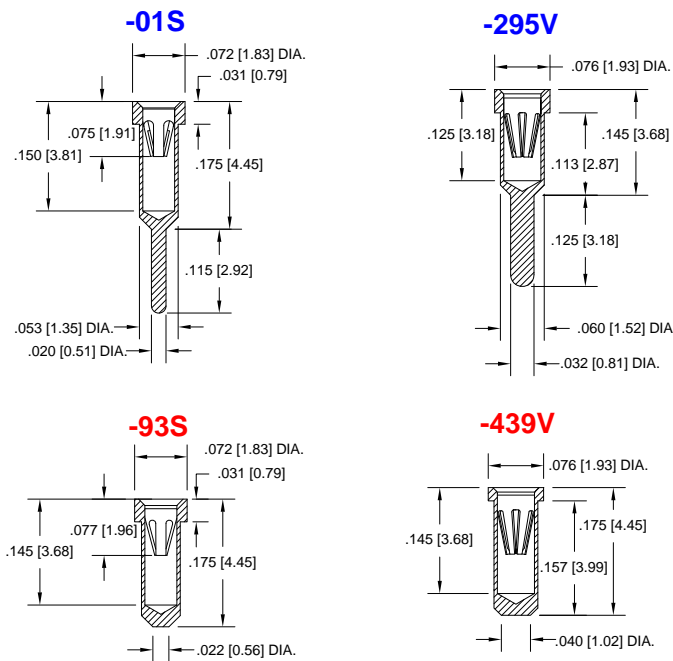
OA SERIES



TXC CRYSTAL *Continued*

Socket Terminal Details

Cross Section View Shown Units: in [mm]



Technical Information

Material:

Insulator: Hi-Temp UL 94V-O
Terminal: Brass, per ASTM-B16
Contact: BeCu, Per ASTM-B194

Plating: RoHS COMPLIANT

R15 TERMINAL: GOLD / CONTACT: GOLD

R17 TERMINAL: TIN / CONTACT: GOLD

OTHER PLATINGS AVAILABLE

Terminal Acceptance and Forces

Thru Hole Terminals				Surface Mount Terminals			
Thru Hole Terminal	Accepts Pin Diameter	Insertion Force	Withdrawal Force	Surface Mount Terminal	Accepts Pin Diameter	Insertion Force	Withdrawal Force
-01S	Ø.018 [Ø0.46]	9.0 oz Avg.	2.0 oz Min	-93S	Ø.018 [Ø0.46]	9.0 oz Avg.	2.0 oz Min
-295V	Ø.030 [Ø.76]	13.2 oz Max	3.5 oz Min	-439V	Ø.030 [Ø.76]	13.2 oz Max	3.5 oz Min

MOUNTING OPTIONS

